

FKS系列—合理的经济选择

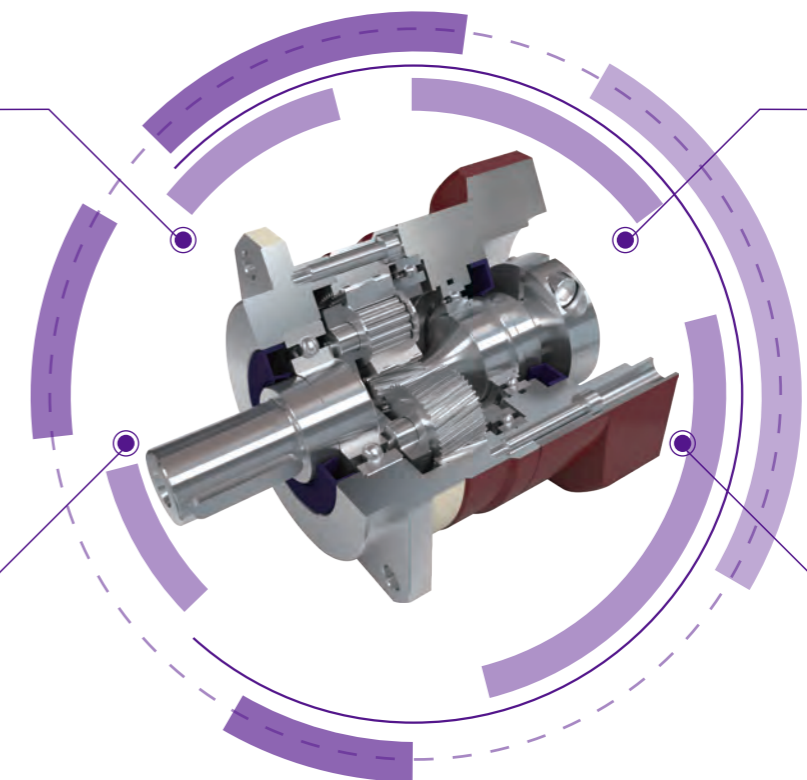
FKS SERIES—RATIONAL ECONOMICAL CHOICE

质为先

业为专

客为首

诚为本



与其他系列行星齿轮减速机相比，FKS系列行星齿轮减速机更加经济适用。它在任何领域都能提供几乎满足所有需求的最经济型解决方案。

Compared with other series of planetary gear reducers, the FKS series of planetary gear reducers are more economical and applicable. It can provide the most economical solution that meets almost all needs in any field.

技术参数* TECHNICAL PARAMETERS

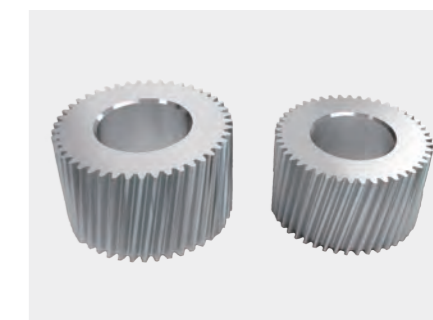
回程间隙 Return clearance	arcmin	1~7
速比 Speed ratio	i	3~100
额定输出力矩 Rated output torque	Nm	40~2000
使用温度°C Using temperature°C	°C	-10~90
噪音 The noise	dB(A)	58~70
工作效率 The work efficiency	%	97
工作寿命 The working life	h	20000



FKS系列—合理的经济选择
FKS series-rational economical choice



输出法兰通孔设计，容易安装
Output flange through hole design, easy to install



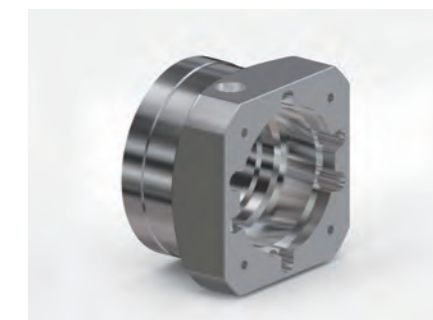
齿面宽，参数做大，实现高强度
The tooth surface is wide, the parameters are larger, and the high strength is achieved



输出轴一体化设计，确保精度和同心度
Output shaft integrated design to ensure accuracy and concentricity



宽齿面宽，结构最优化设计
Wide tooth surface width, structural optimization design



优美的一体化输入连接法兰，强度高
Elegant integrated input flange with high strength

减速机性能资料 REDUCER PERFORMANCE DATA

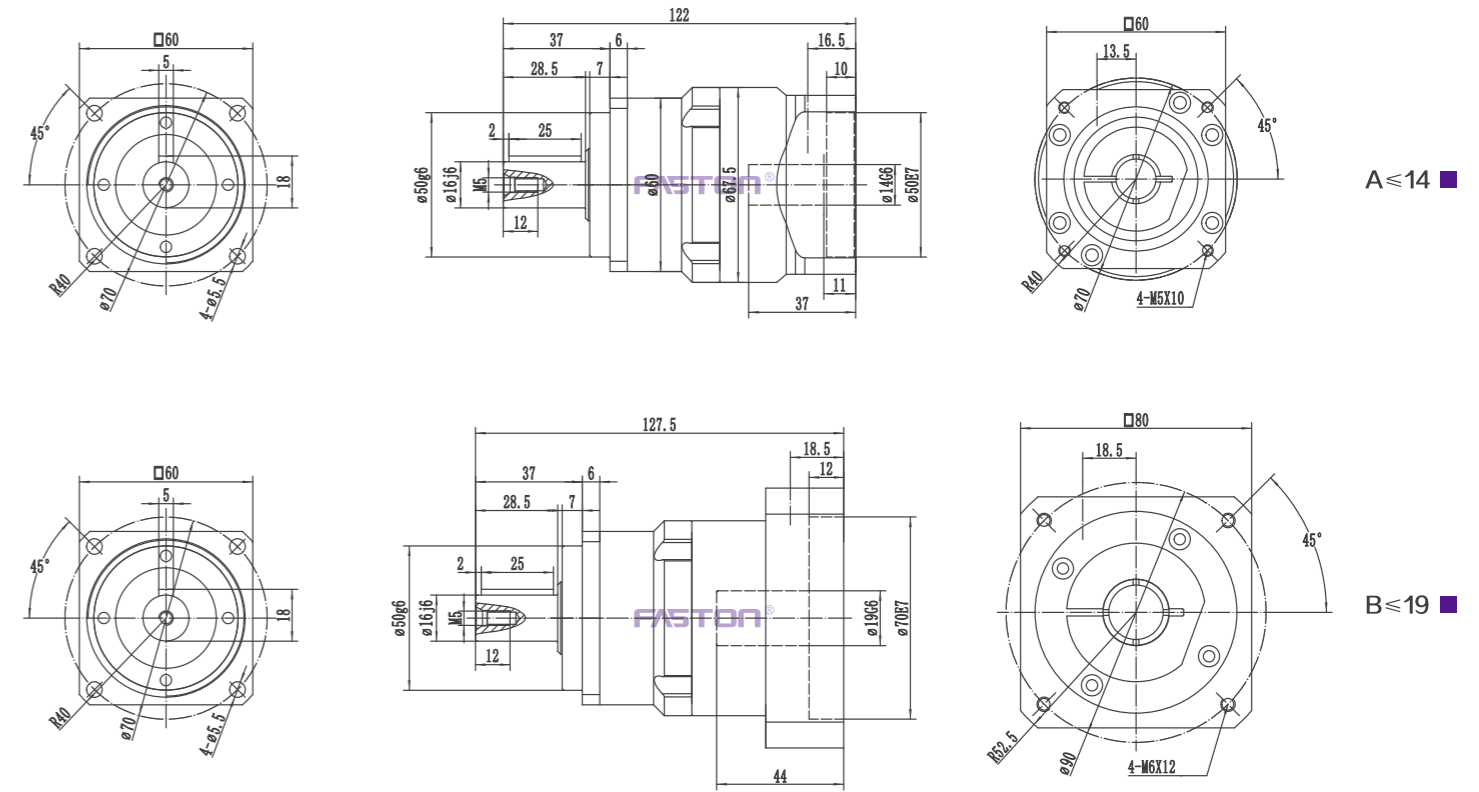
FKS060				单级/One-stage								双级/Two-stage									
速比 ⁽¹⁾ Speed ratio	i			3	4	5	6	7	8	9	10	12	16	20	25	35	40	50	70	100	
额定输出力矩(n_{1N}) Rated output torque	T_{2N}	Nm		55	50	50	55	50	45	40	40	55	50	50	60	50	50	55	50	40	
紧急制动力矩 (在减速机工作寿命内允许1000次) Emergency braking torque (1000 times during the working life of the reducer)	T_{2NOT}	Nm	3倍额定输出力矩/3 Times rated output torque																		
额定输入转速(T_{2n} , 20°C环境温度) Rated input speed (T_{2n} , 20°C ambient temperature)	n_{1N}	rpm	4000																		
最大输入转速 Maximum input speed	n_{1max}	rpm	8000																		
空载力矩($n_l=3000rpm$, 20°C环境温度) No-load torque ($n_l=3000 RPM$, 20°C ambient temperature)	T_{012}	Nm	0.9	0.8	0.8	0.7	0.6	0.5	0.5	0.4	0.6	0.6	0.55	0.5	0.5	0.4	0.4	0.35	0.3		
回程间隙PS Backlash PS	j_l	Arcmin	≤ 1								≤ 2										
回程间隙P0 Backlash P0	j_l	Arcmin	≤ 2								≤ 3										
回程间隙P1 Backlash P1	j_l	Arcmin	≤ 3								≤ 5										
回程间隙P2 Backlash P2	j_l	Arcmin	≤ 5								≤ 7										
扭转刚度 Torsional stiffness	C_{121}	Nm/Arcmin	3.5																		
最大轴向力 ⁽²⁾ Maximum axial force	F_{2AMax}	N	630																		
最大径向力 ⁽²⁾ Maximum radial force	F_{2RMax}	N	1100																		
工作效率 Work efficiency	η	%	97								94										
工作寿命 ⁽³⁾ Service life	L_h	h	20000																		
噪音($i=10$ 和 $n_1=3000rpm$, 空载) Noise($i=10$ and $n_1=3000rpm$, no load)	L_{PA}	DB(A)	≤ 58																		
重量 Weight	m	Kg	1.3								1.8										
安装方向 Installation direction	任意方向/Any direction																				
使用温度 ⁽⁴⁾ Operating temperature	-10~90																				
润滑方式 Lubrication method	终生润滑/Lifetime lubrication																				
防护等级 Protection level	IP65																				
转动惯量 Moment of inertia 按减速机输入直径(mm) Input diameter based on the reducer(mm)	11	J_1	Kgcm ²	0.25	0.2	0.2	0.15	0.13	0.12	0.1	0.1	0.1	0.1	0.09	0.08	0.08	0.08	0.08	0.08	0.08	
	14	J_1	Kgcm ²	0.28	0.25	0.25	0.22	0.18	0.17	0.15	0.14	0.17	0.17	0.17	0.16	0.16	0.16	0.16	0.16	0.16	0.15
	19	J_1	Kgcm ²	0.65	0.6	0.55	0.55	0.52	0.5	0.5	0.48	0.18	0.18	0.16	0.15	0.15	0.15	0.15	0.14	0.14	0.14

1. 可选其他减速比
2. 输出轴中心点
3. 连续运转时, 使用寿命为10000h
4. 对温度有特殊要求请与法斯頓联系

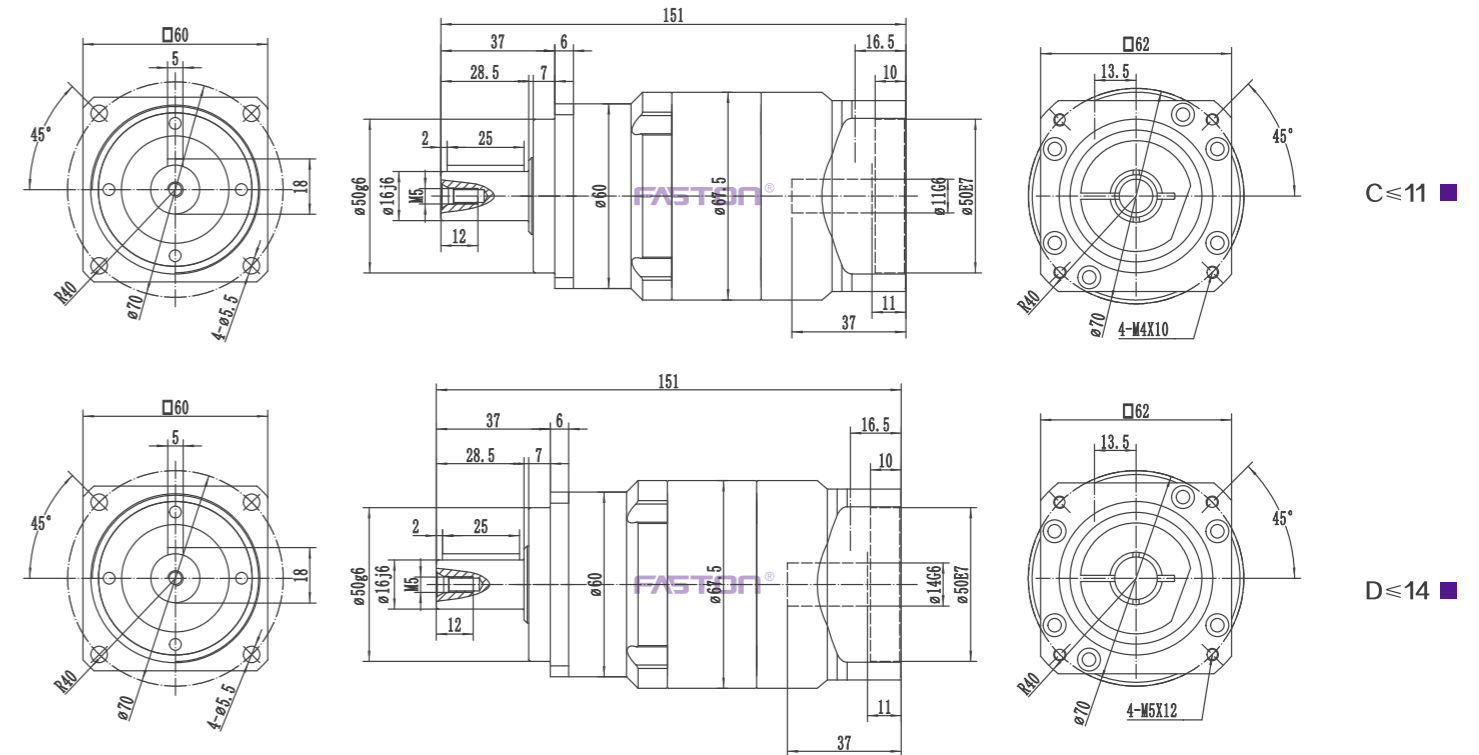
1. Optional other ratio
2. Output shaft center point
3. Service life of 10000h in continuous operation
4. For special requirements on temperature, please contact FASTON

减速机性能资料 REDUCER PERFORMANCE DATA

单级/One-stage



双级/Two-stage



(1) 请参照马达轴径尺寸
(2) 马达轴最长长度, 如有特殊的马达轴尺寸, 请与法斯頓联系
(3) 减速机输入端尺寸, 依马达的法兰面而定
*如无适合的尺寸, 请与法斯頓联系

(1) Please refer to the motor shaft diameter
(2) Motor shaft length, for special motor shaft size, please contact FASTON
(3) Reducer input size, depending on the flange surface of the motor
*If no suitable size available, please contact FASTON

A ≤ 14

B ≤ 19

C ≤ 11

D ≤ 14

减速机性能资料 REDUCER PERFORMANCE DATA

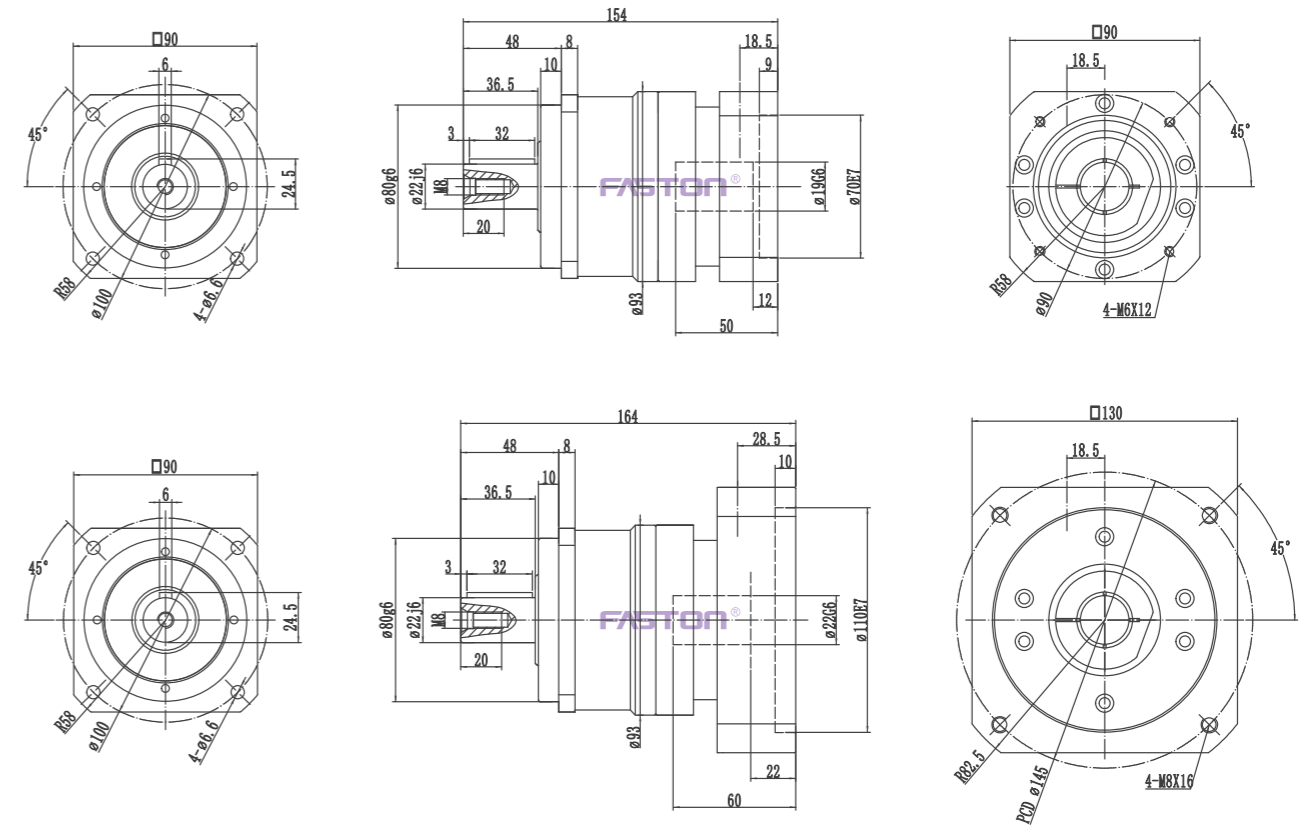
FKS090				单级/One-stage								双级/Two-stage								
速比 ⁽¹⁾ Speed ratio	i			3	4	5	6	7	8	9	10	12	16	20	25	35	40	50	70	100
额定输出力矩(n_{1N}) Rated output torque	T_{2N}	Nm		130	140	160	140	140	120	100	100	130	140	140	160	140	140	160	120	100
紧急制动力矩 (在减速机使用寿命内允许1000次) Emergency braking torque (1000 times during the working life of the reducer)	T_{2NOT}	Nm	3倍额定输出力矩/3 Times rated output torque																	
额定输入转速(T_{2n} , 20°C环境温度) Rated input speed (T_{2n} , 20°C ambient temperature)	n_{1N}	rpm	3000																	
最大输入转速 Maximum input speed	n_{1max}	rpm	6000																	
空载力矩($n_l=3000$ rpm, 20°C环境温度) No-load torque ($n_l=3000$ RPM, 20°C ambient temperature)	T_{012}	Nm	1.8	1.7	1.6	1.5	1.4	1.1	0.8	0.7	0.9	0.8	0.7	0.6	0.5	0.5	0.4	0.3	0.3	
回程间隙PS Backlash PS	j_t	Arcmin	≤ 1								≤ 2									
回程间隙P0 Backlash P0	j_t	Arcmin	≤ 2								≤ 3									
回程间隙P1 Backlash P1	j_t	Arcmin	≤ 3								≤ 5									
回程间隙P2 Backlash P2	j_t	Arcmin	≤ 5								≤ 7									
扭转刚度 Torsional stiffness	C_{121}	Nm/Arcmin	10.5																	
最大轴向力 ⁽²⁾ Maximum axial force	F_{2AMax}	N	1230																	
最大径向力 ⁽²⁾ Maximum radial force	F_{2RMax}	N	2200																	
工作效率 Work efficiency	η	%	97								94									
工作寿命 ⁽³⁾ Service life	L_h	h	20000																	
噪音($i=10$ 和 $n_1=3000$ rpm, 空载) Noise($i=10$ and $n_1=3000$ rpm, no load)	L_{PA}	DB(A)	≤ 60																	
重量 Weight	m	Kg	3.9								4.6									
安装方向 Installation direction	任意方向/Any direction																			
使用温度 ⁽⁴⁾ Operating temperature	-10~90																			
润滑方式 Lubrication method	终生润滑/Lifetime lubrication																			
防护等级 Protection level	IP65																			
转动惯量 Moment of inertia 按减速机输入直径(mm) Input diameter based on the reducer(mm)	19	J_1	Kgcm ²	1.3	1.3	1.2	1.1	0.9	0.8	0.7	0.6	0.25	0.23	0.21	0.2	0.18	0.18	0.08	0.16	0.16
	22	J_1	Kgcm ²	2.2	2.1	2	2	1.8	1.7	1.5	1.5	0.7	0.7	0.7	0.7	0.7	0.7	0.16	0.5	0.5
	24	J_1	Kgcm ²	2.5	2.4	2.3	2.3	2.2	2.2	2.1	2.1	0.8	0.8	0.7	0.7	0.7	0.7	0.15	0.6	0.6

1. 可选其他减速比
2. 输出轴中心点
3. 连续运转时, 使用寿命为10000h
4. 对温度有特殊要求请与法斯頓联系

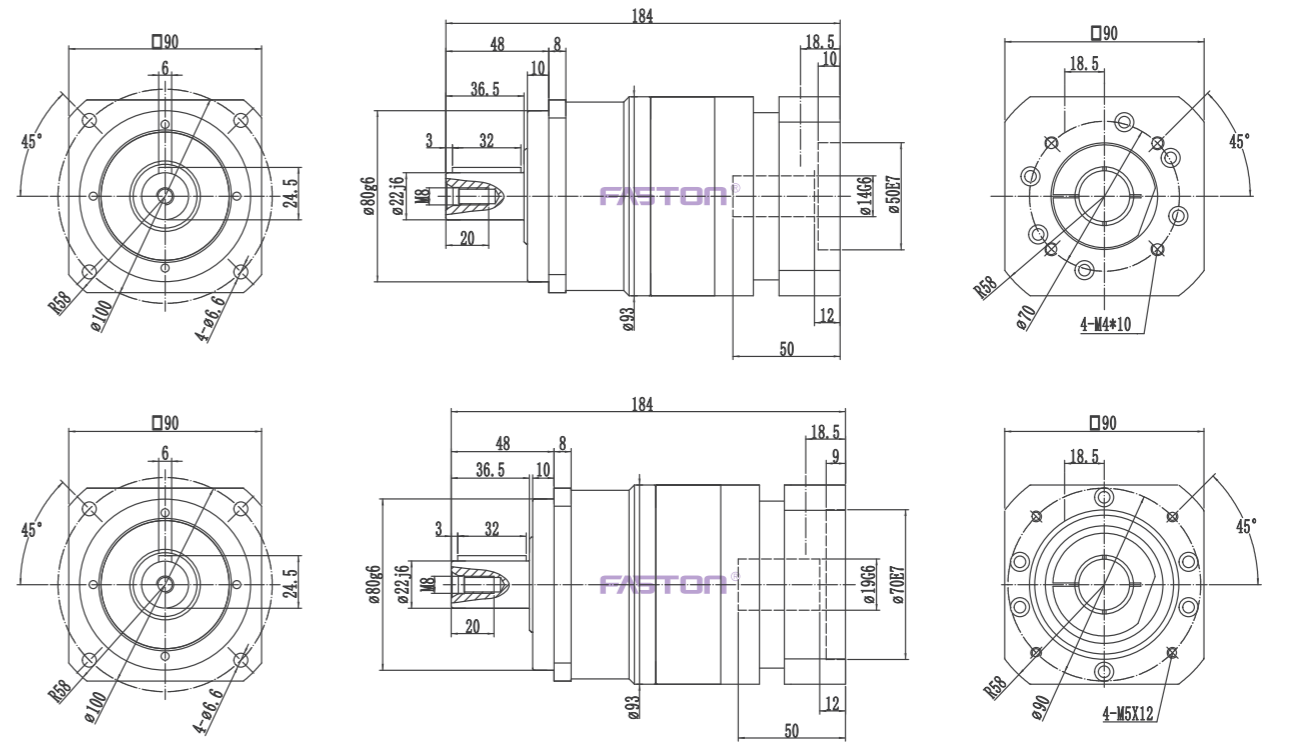
1. Optional other ratio
2. Output shaft center point
3. Service life of 10000h in continuous operation
4. For special requirements on temperature, please contact FASTON

减速机性能资料 REDUCER PERFORMANCE DATA

单级/One-stage



双级/Two-stage



(1) 请参照马达轴径尺寸
(2) 马达轴最长长度, 如有特殊的马达轴尺寸, 请与法斯頓联系
(3) 减速机输入端尺寸, 依马达的法兰面而定
*如无适合的尺寸, 请与法斯頓联系

(1) Please refer to the motor shaft diameter
(2) Motor shaft length, for special motor shaft size, please contact FASTON
(3) Reducer input size, depending on the flange surface of the motor
*If no suitable size available, please contact FASTON

减速机性能资料 REDUCER PERFORMANCE DATA

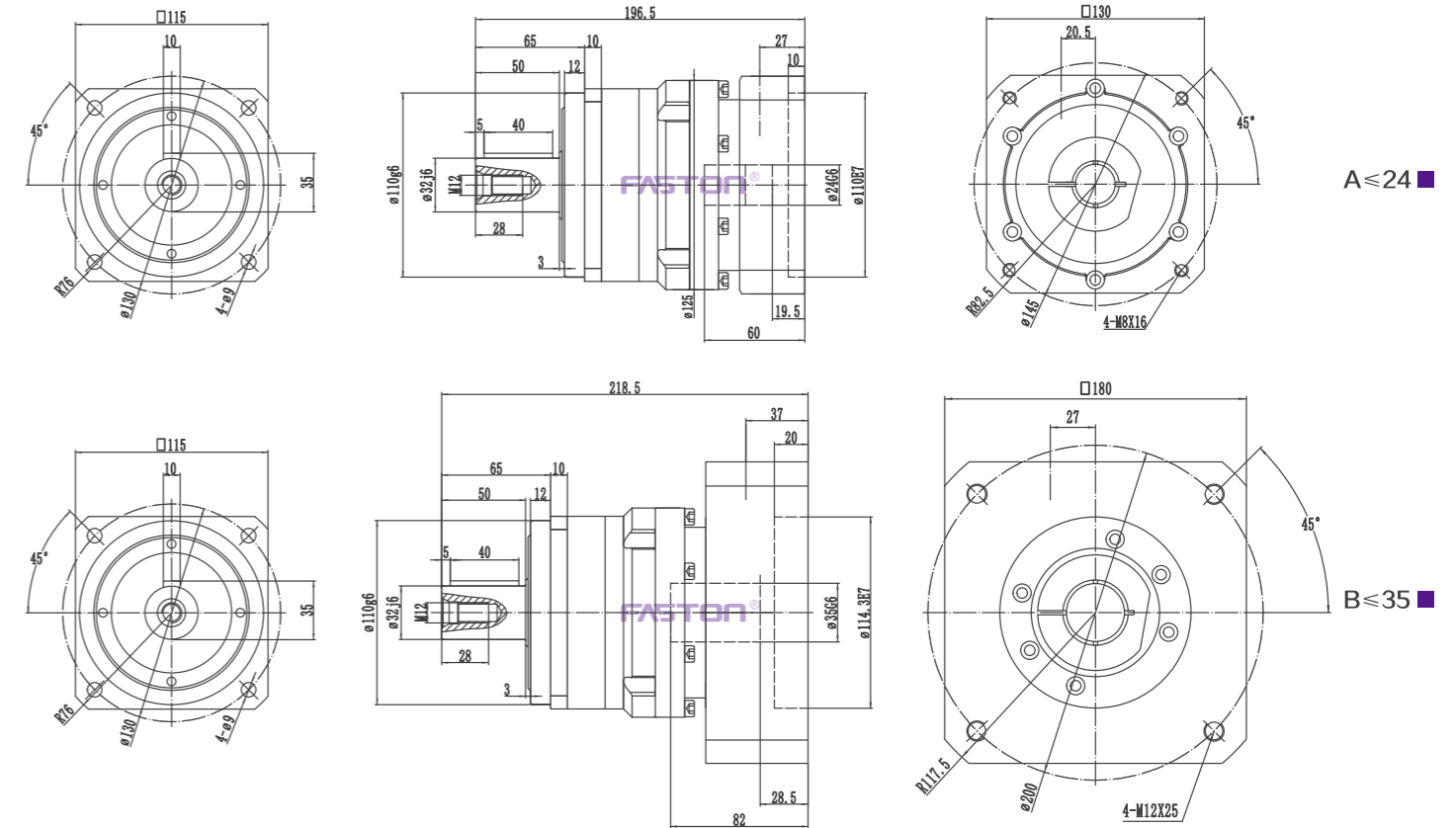
FKS115				单级/One-stage								双级/Two-stage								
速比 ⁽¹⁾ Speed ratio	i			3	4	5	6	7	8	9	10	12	16	20	25	35	40	50	70	100
额定输出力矩(n_{1N}) Rated output torque	T_{2N}	Nm		208	290	330	300	300	260	230	230	208	290	290	330	300	330	330	300	230
紧急制动力矩 (在减速机使用寿命内允许1000次) Emergency braking torque (1000 times during the working life of the reducer)	T_{2NOT}	Nm	3倍额定输出力矩/3 Times rated output torque																	
额定输入转速(T_{2n} , 20°C环境温度) Rated input speed (T_{2n} , 20°C ambient temperature)	n_{1N}	rpm	3000																	
最大输入转速 Maximum input speed	n_{1max}	rpm	6000																	
空载力矩($n_1=3000rpm$, 20°C环境温度) No-load torque ($n_1=3000RPM$, 20°C ambient temperature)	T_{012}	Nm	3.6	3	2.7	2.5	2	1.8	1.6	1.5	1.8	1.6	1.6	1.5	1.2	1	0.8	0.7	0.6	
回程间隙PS Backlash PS	j_t	Arcmin	≤1								≤2									
回程间隙P0 Backlash P0	j_t	Arcmin	≤2								≤3									
回程间隙P1 Backlash P1	j_t	Arcmin	≤3								≤5									
回程间隙P2 Backlash P2	j_t	Arcmin	≤5								≤7									
扭转刚度 Torsional stiffness	C_{121}	Nm/Arcmin	20																	
最大轴向力 ⁽²⁾ Maximum axial force	F_{2AMax}	N	2550																	
最大径向力 ⁽²⁾ Maximum radial force	F_{2RMax}	N	5025																	
工作效率 Work efficiency	η	%	97								94									
工作寿命 ⁽³⁾ Service life	L_h	h	20000																	
噪音($i=10$ 和 $n_1=3000rpm$, 空载) Noise($i=10$ and $n_1=3000rpm$, no load)	L_{PA}	DB(A)	≤63																	
重量 Weight	m	Kg	8.7								10									
安装方向 Installation direction	任意方向/Any direction																			
使用温度 ⁽⁴⁾ Operating temperature	-10~90																			
润滑方式 Lubrication method	终生润滑/Lifetime lubrication																			
防护等级 Protection level	IP65																			
转动惯量 Moment of inertia 按减速机输入直径(mm) Input diameter based on the reducer(mm)	19	J_1	Kgcm ²	3.5	3	2.6	2.2	2	1.8	1.6	1.5	0.7	0.7	0.7	0.7	0.6	0.6	0.5	0.5	
	24	J_1	Kgcm ²	4.8	4.6	4.5	4	3.5	3	2.7	2.5	2	1.8	1.8	1.7	1.6	1.4	1.4	1.4	
	35	J_1	Kgcm ²	11.5	10.5	10	10	9.9	9.9	9.6	9.5	2.2	2.1	2.1	2	2	1.9	1.8	1.7	

1. 可选其他减速比
2. 输出轴中心点
3. 连续运转时, 使用寿命为10000h
4. 对温度有特殊要求请与法斯頓联系

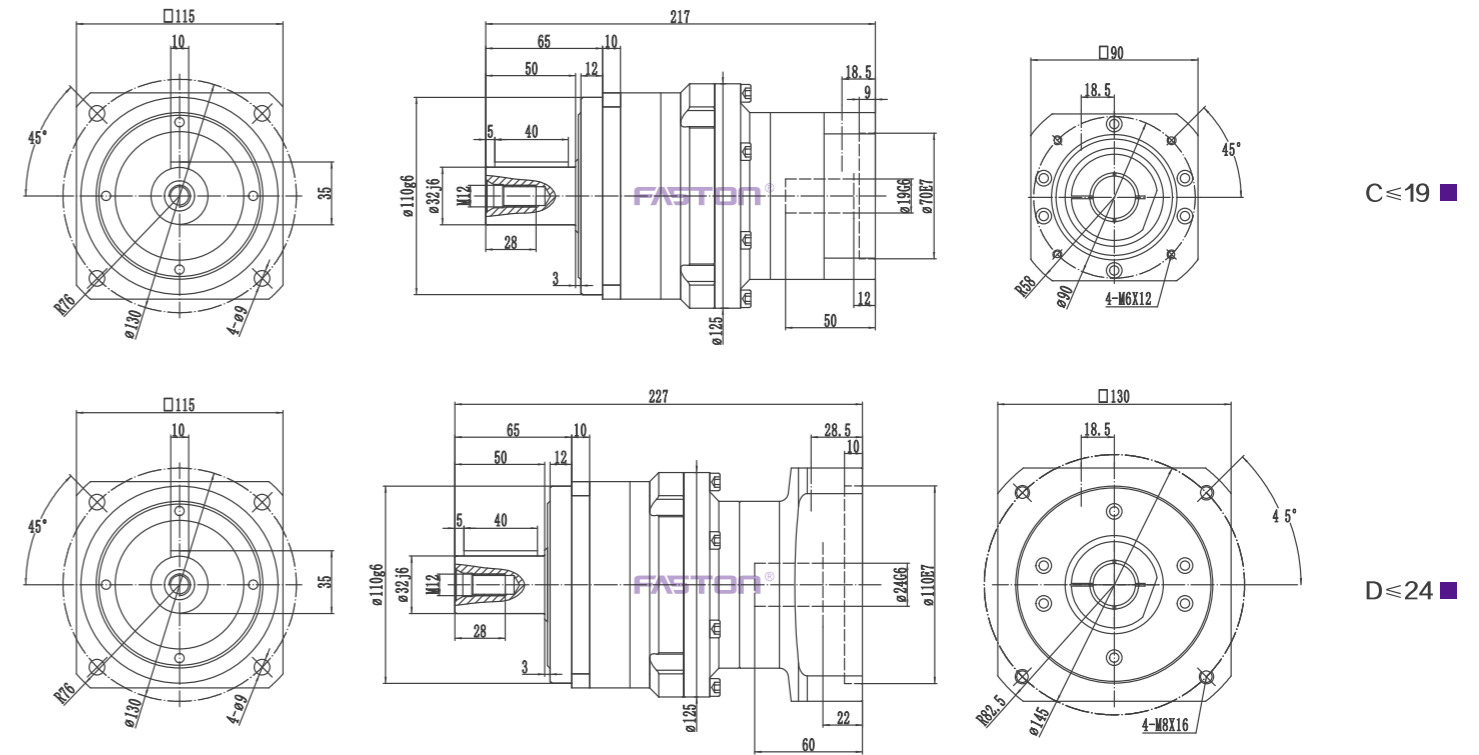
1. Optional other ratio
2. Output shaft center point
3. Service life of 10000h in continuous operation
4. For special requirements on temperature, please contact FASTON

减速机性能资料 REDUCER PERFORMANCE DATA

单级/One-stage



双级/Two-stage



(1) 请参照马达轴径尺寸
(2) 马达轴最长长度, 如有特殊的马达轴尺寸, 请与法斯頓联系
(3) 减速机输入端尺寸, 依马达的法兰面而定
*如无适合的尺寸, 请与法斯頓联系

(1) Please refer to the motor shaft diameter
(2) Motor shaft length, for special motor shaft size, please contact FASTON
(3) Reducer input size, depending on the flange surface of the motor
*If no suitable size available, please contact FASTON

减速机性能资料 REDUCER PERFORMANCE DATA

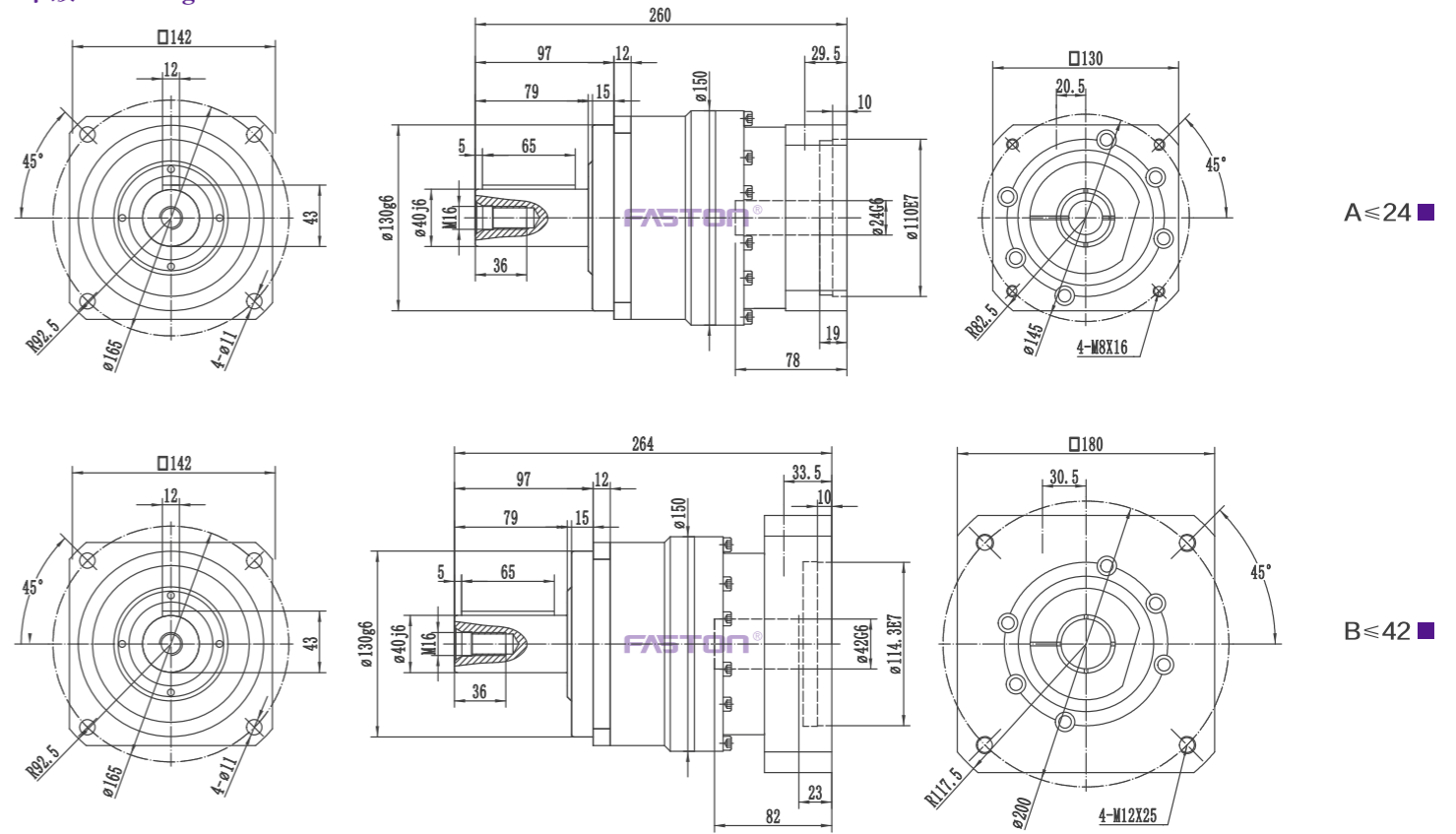
FKS142				单级/One-stage							双级/Two-stage									
速比 ⁽¹⁾ Speed ratio	i			3	4	5	6	7	8	9	10	12	16	20	25	35	40	50	70	100
额定输出力矩(n_{1N}) Rated output torque	T_{2N}	Nm		342	542	650	550	550	500	450	450	342	543	542	650	550	542	650	550	450
紧急制动力矩 (在减速机工作寿命内允许1000次) Emergency braking torque (1000 times during the working life of the reducer)	T_{2NOT}	Nm		3倍额定输出力矩/3 Times rated output torque																
额定输入转速(T_{2n} , 20°C环境温度) Rated input speed (T_{2n} , 20°C ambient temperature)	n_{1N}	rpm		3000																
最大输入转速 Maximum input speed	n_{1max}	rpm		6000																
空载力矩($n_l=3000rpm$, 20°C环境温度) No-load torque ($n_l=3000 RPM$, 20°C ambient temperature)	T_{012}	Nm		8	6	4.7	4.5	3.5	2.5	2.5	2.5	3.5	2.8	2.6	2.2	2.0	1.9	1.8	1.6	1.5
回程间隙PS Backlash PS	j_t	Arcmin		≤ 1							≤ 2									
回程间隙P0 Backlash P0	j_t	Arcmin		≤ 2							≤ 3									
回程间隙P1 Backlash P1	j_t	Arcmin		≤ 3							≤ 5									
回程间隙P2 Backlash P2	j_t	Arcmin		≤ 5							≤ 7									
扭转刚度 Torsional stiffness	C_{121}	Nm/Arcmin		39																
最大轴向力 ⁽²⁾ Maximum axial force	F_{2AMax}	N		3780																
最大径向力 ⁽²⁾ Maximum radial force	F_{2RMax}	N		7610																
工作效率 Work efficiency	η	%		97							94									
工作寿命 ⁽³⁾ Service life	L_h	h		20000																
噪音($i=10$ 和 $n_l=3000rpm$, 空载) Noise($i=10$ and $n_l=3000rpm$, no load)	L_{PA}	DB(A)		≤ 65																
重量 Weight	m	Kg		16							20									
安装方向 Installation direction				任意方向/Any direction																
使用温度 ⁽⁴⁾ Operating temperature		°C		-10~90																
润滑方式 Lubrication method				终生润滑/Lifetime lubrication																
防护等级 Protection level				IP65																
转动惯量 Moment of inertia 按减速机输入直径(mm) Input diameter based on the reducer(mm)	24	J_1	Kgcm ²	10.5	8	8	7.2	7	6.5	5.8	5.5	2.6	2.2	2	1.7	1.7	1.6	1.4	1.4	1.4
	35	J_1	Kgcm ²	14.5	12	11	10	10	9.5	9.5	9	3.3	3.2	3	2.9	2.7	2.5	2.3	2.2	2
	42	J_1	Kgcm ²	26	25	24.5	24.1	23.5	23	22.5	22	14.5	12	11	10	10	9.5	9.5	9	9

1. 可选其他减速比
2. 输出轴中心点
3. 连续运转时, 使用寿命为10000h
4. 对温度有特殊要求请与法斯頓联系

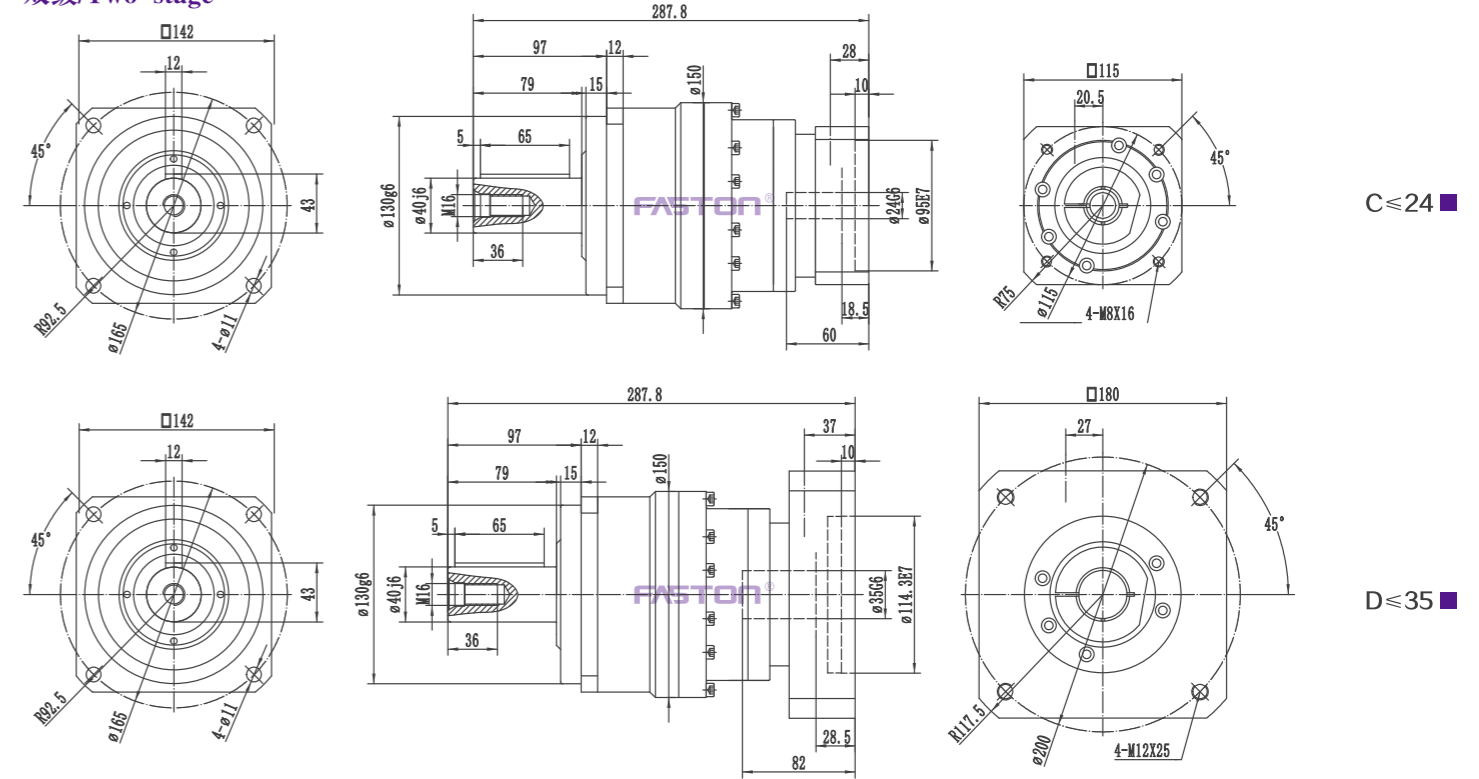
1. Optional other ratio
2. Output shaft center point
3. Service life of 10000h in continuous operation
4. For special requirements on temperature, please contact FASTON

减速机性能资料 REDUCER PERFORMANCE DATA

单级/One-stage



双级/Two-stage



(1) 请参照马达轴径尺寸
(2) 马达轴最长长度, 如有特殊的马达轴尺寸, 请与法斯頓联系
(3) 减速机输入端尺寸, 依马达的法兰面而定
*如无适合的尺寸, 请与法斯頓联系

(1) Please refer to the motor shaft diameter
(2) Motor shaft length, for special motor shaft size, please contact FASTON
(3) Reducer input size, depending on the flange surface of the motor
*If no suitable size available, please contact FASTON

A ≤ 24 ■

B ≤ 42 ■

C ≤ 24 ■

D ≤ 35 ■

减速机性能资料 REDUCER PERFORMANCE DATA

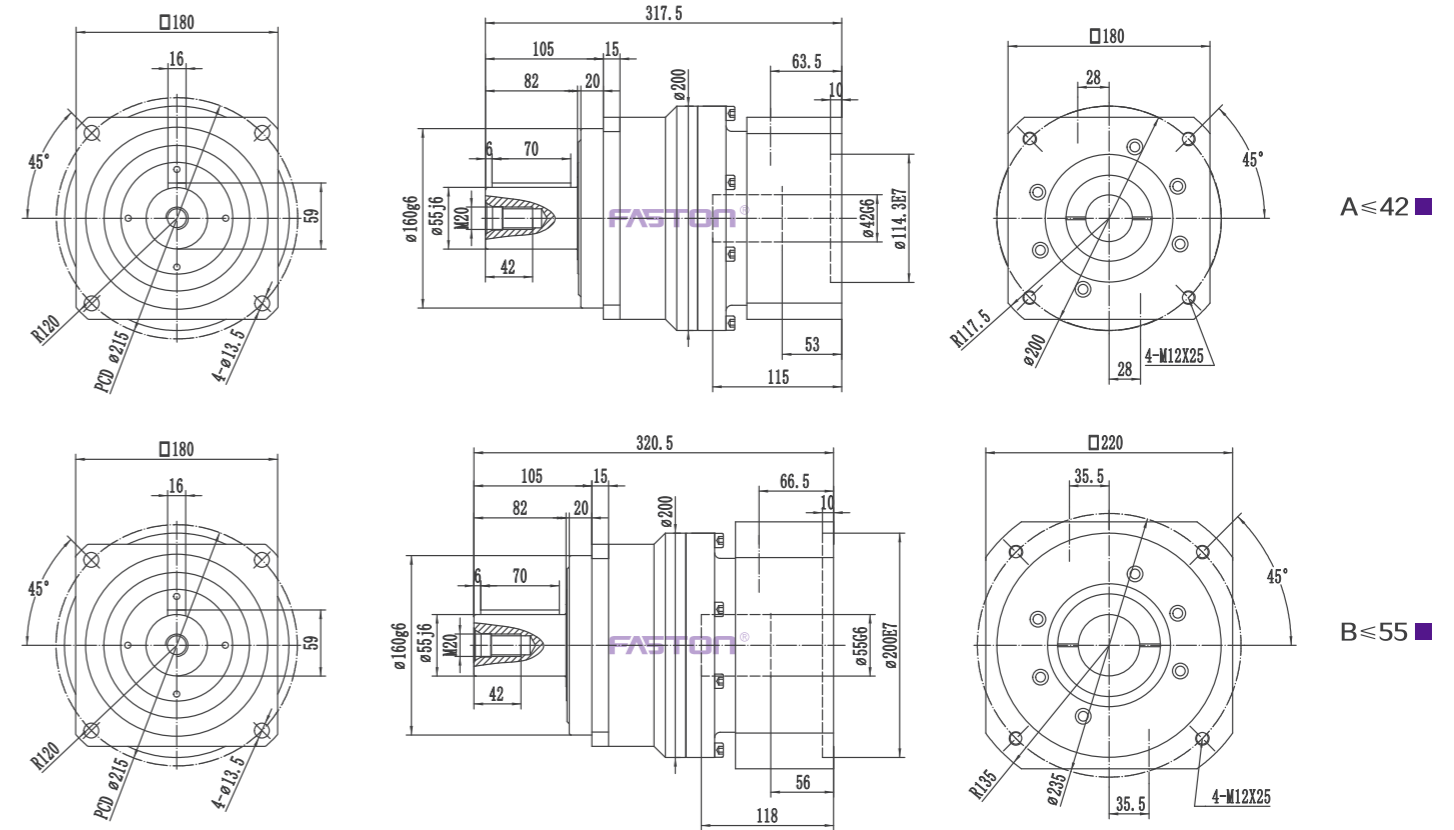
FKS180				单级/One-stage								双级/Two-stage								
速比 ⁽¹⁾ Speed ratio	i			3	4	5	6	7	8	9	10	12	16	20	25	35	40	50	70	100
额定输出力矩(n_{1N}) Rated output torque	T_{2N}	Nm		750	1050	1200	1100	1100	1000	900	900	750	1050	1050	1200	1100	1020	1200	1100	900
紧急制动力矩 (在减速机使用寿命内允许1000次) Emergency braking torque (1000 times during the working life of the reducer)	T_{2NOT}	Nm	3倍额定输出力矩/3 Times rated output torque																	
额定输入转速 ($T_{2n,20}$ 环境温度) Rated input speed ($T_{2n,20}$ ambient temperature)	n_{1N}	rpm	3000																	
最大输入转速 Maximum input speed	n_{1max}	rpm	6000																	
空载力矩($n_1=3000rpm, 20^\circ C$ 环境温度) No-load torque ($n_1=3000 RPM, 20^\circ C$ ambient temperature)	T_{012}	Nm	15	13	12	11	9	7.5	6.5	5.5	14	11	11	9	9	8	7	6.8	5	
回程间隙PS Backlash PS	j_t	Arcmin	≤ 1								≤ 2									
回程间隙P0 Backlash P0	j_t	Arcmin	≤ 2								≤ 3									
回程间隙P1 Backlash P1	j_t	Arcmin	≤ 3								≤ 5									
回程间隙P2 Backlash P2	j_t	Arcmin	≤ 5								≤ 7									
扭转刚度 Torsional stiffness	C_{121}	Nm/Arcmin	115																	
最大轴向力 ⁽²⁾ Maximum axial force	F_{2AMax}	N	5875																	
最大径向力 ⁽²⁾ Maximum radial force	F_{2RMax}	N	10900																	
工作效率 Work efficiency	η	%	97								94									
使用寿命 ⁽³⁾ Service life	L_h	h	20000																	
噪音($i=10$ 和 $n_1=3000rpm$, 空载) Noise($i=10$ and $n_1=3000rpm$, no load)	L_{PA}	DB(A)	≤ 67																	
重量 Weight	m	Kg	31								39									
安装方向 Installation direction	任意方向/Any direction																			
使用温度 ⁽⁴⁾ Operating temperature	$^\circ C$ -10~90																			
润滑方式 Lubrication method	终生润滑/Lifetime lubrication																			
防护等级 Protection level	IP65																			
转动惯量 Moment of inertia 按减速机输入直径(mm) Input diameter based on the reducer(mm)	35	J_1	Kgcm ²	49	35	30	25	23	22	20	19	9.5	9	8.8	8.2	7.9	7.5	6.8	6.2	5.5
	42	J_1	Kgcm ²	52	41	37	36	35	32	30	28	12	11.4	10.9	10.2	9.8	9.7	9.3	9.0	8.5
	55	J_1	Kgcm ²	66	50	44	42	40	38	36	36	13	12.1	11	10.5	10.2	10	9.9	9.8	9.5

1. 可选其他减速比
2. 输出轴中心点
3. 连续运转时, 使用寿命为10000h
4. 对温度有特殊要求请与法斯頓联系

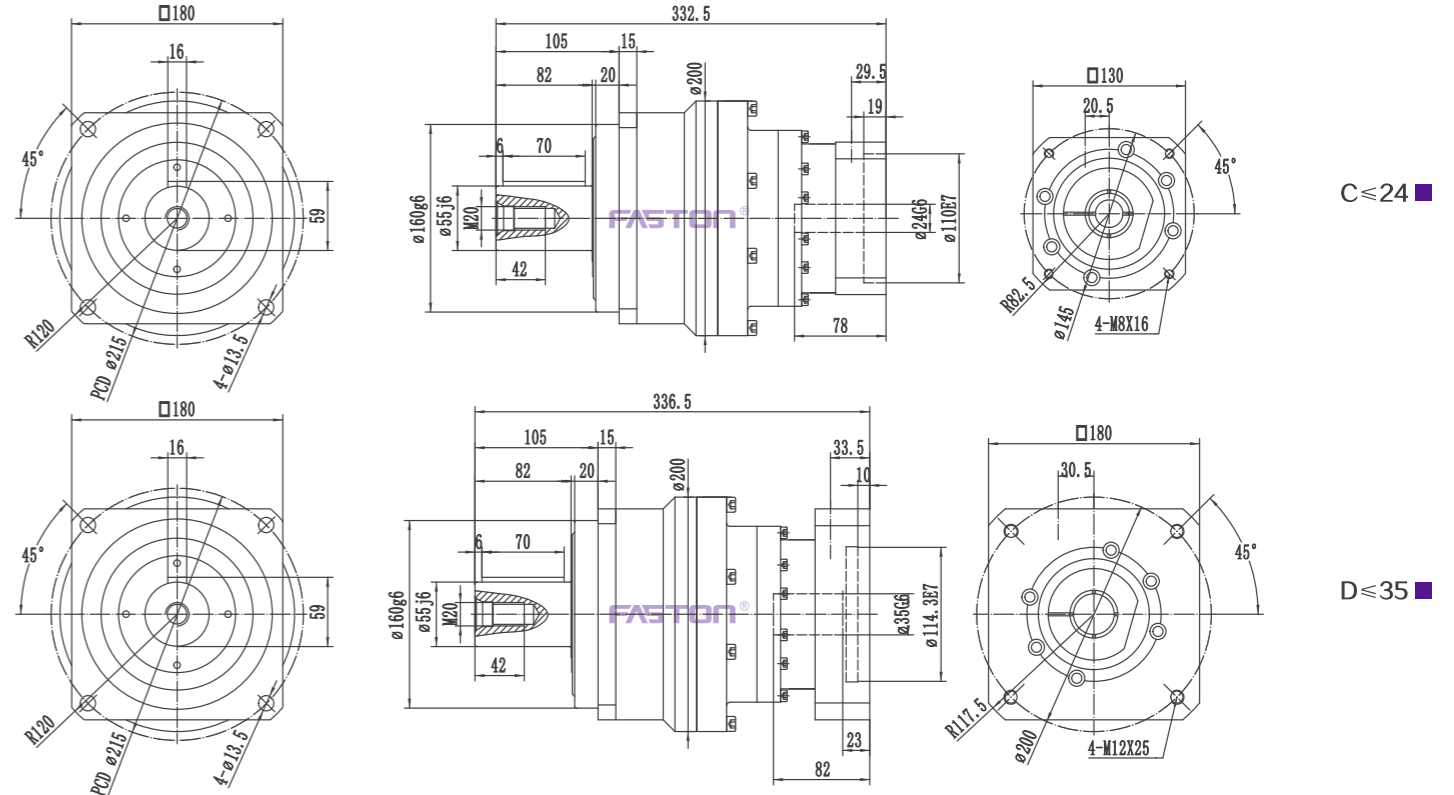
1. Optional other ratio
2. Output shaft center point
3. Service life of 10000h in continuous operation
4. For special requirements on temperature, please contact FASTON

减速机性能资料 REDUCER PERFORMANCE DATA

单级/One-stage



双级/Two-stage



(1) 请参照马达轴径尺寸
(2) 马达轴最长长度, 如有特殊的马达轴尺寸, 请与法斯頓联系
(3) 减速机输入端尺寸, 依马达的法兰面而定
*如无适合的尺寸, 请与法斯頓联系

(1) Please refer to the motor shaft diameter
(2) Motor shaft length, for special motor shaft size, please contact FASTON
(3) Reducer input size, depending on the flange surface of the motor
*If no suitable size available, please contact FASTON

减速机性能资料 REDUCER PERFORMANCE DATA

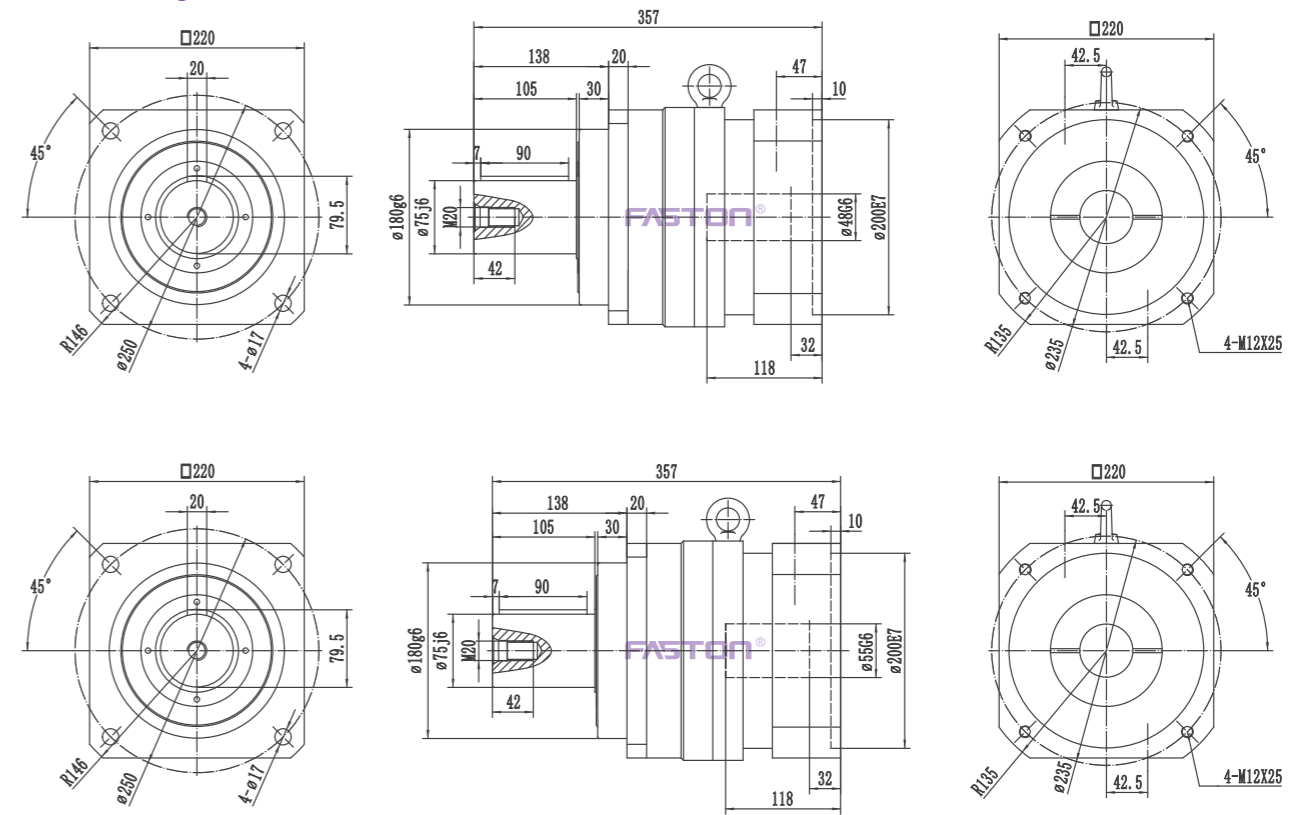
FKS220			单级/One-stage								双级/Two-stage									
速比 ⁽¹⁾ Speed ratio	i		3	4	5	6	7	8	9	10	12	16	20	25	35	40	50	70	100	
额定输出力矩(n_{1N}) Rated output torque	T_{2N}	Nm	1140	1700	2000	1800	1800	1600	1500	1500	1140	1700	1700	2000	1800	1700	2000	1800	1500	
紧急制动力矩 Emergency braking torque (在减速机使用寿命内允许1000次) (1000 times during the working life of the reducer)	T_{2NOT}	Nm	3倍额定输出力矩/3 Times rated output torque																	
额定输入转速(T_{2n} , 20°C环境温度) Rated input speed (T_{2n} , 20 °C ambient temperature)	n_{1N}	rpm	2000																	
最大输入转速 Maximum input speed	n_{1max}	rpm	4000																	
空载力矩($n_l=3000rpm$, 20°C环境温度) No-load torque ($n_l=3000 RPM$, 20°C ambient temperature)	T_{012}	Nm	33	22	17	8	6	5	4.5	3.5	14	11	11	9	9	8	7	6.8	5	
回程间隙PS Backlash PS	j_l	Arcmin	≤ 1								≤ 2									
回程间隙P0 Backlash P0	j_l	Arcmin	≤ 2								≤ 3									
回程间隙P1 Backlash P1	j_l	Arcmin	≤ 3								≤ 5									
回程间隙P2 Backlash P2	j_l	Arcmin	≤ 5								≤ 7									
扭转刚度 Torsional stiffness	C_{121}	Nm/Arcmin	180																	
最大轴向力 ⁽²⁾ Maximum axial force	F_{2AMax}	N	11200																	
最大径向力 ⁽²⁾ Maximum radial force	F_{2RMax}	N	24000																	
工作效率 Work efficiency	η	%	97								94									
工作寿命 ⁽³⁾ Service life	L_h	h	20000																	
噪音($i=10$ 和 $n_1=3000rpm$, 空载) Noise($i=10$ and $n_1=3000rpm$, no load)	L_{PA}	DB(A)	≤ 70																	
重量 Weight	m	Kg	48								62									
安装方向 Installation direction	任意方向/Any direction																			
使用温度 ⁽⁴⁾ Operating temperature	-10~90																			
润滑方式 Lubrication method	终生润滑/Lifetime lubrication																			
防护等级 Protection level	IP65																			
转动惯量 Moment of inertia 按减速机输入直径(mm) Input diameter based on the reducer(mm)	42	J_1	Kgcm ²	80	70	68	65	55	52	45	40	18	16	15.5	14	14	13	13	10.8	9.5
	55	J_1	Kgcm ²	130	95	77	75	68	65	60	55	30	28	27	26.5	25.5	24	23	21	19.5

1. 可选其他减速比
2. 输出轴中心点
3. 连续运转时, 使用寿命为10000h
4. 对温度有特殊要求请与法斯頓联系

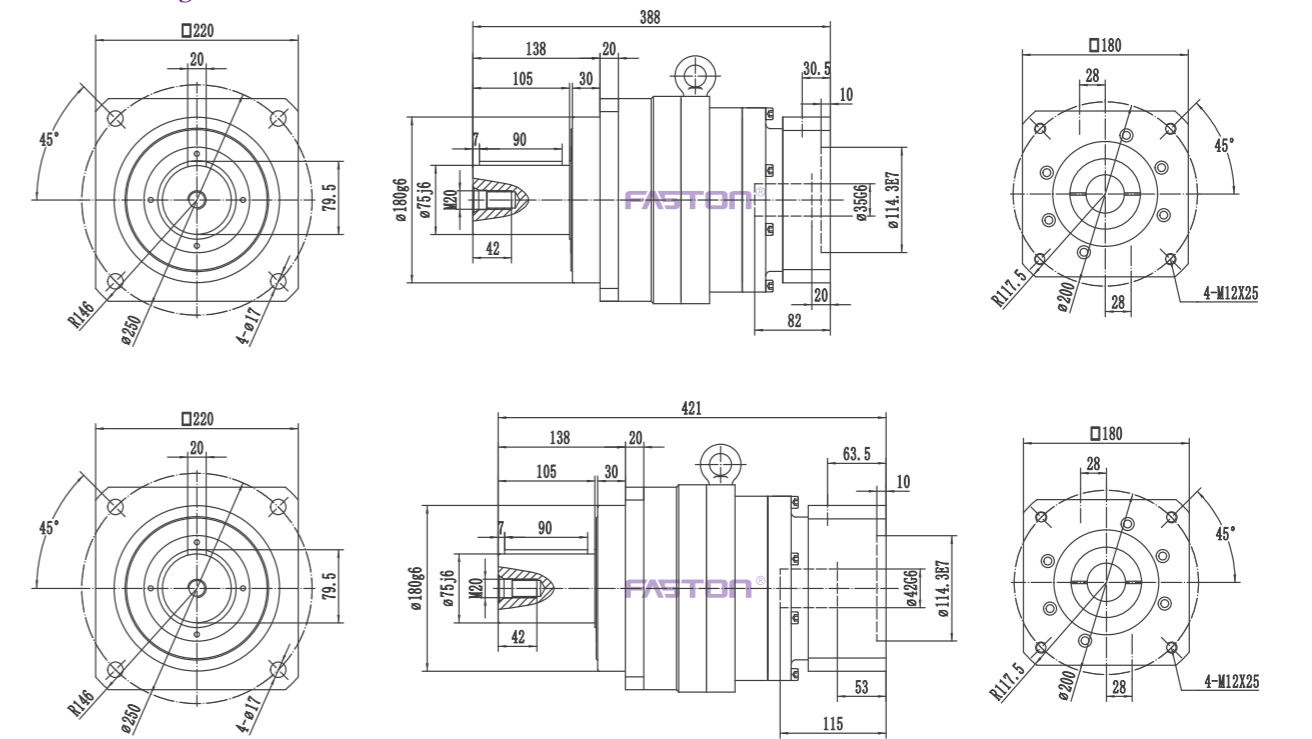
1. Optional other ratio
2. Output shaft center point
3. Service life of 10000h in continuous operation
4. For special requirements on temperature, please contact FASTON

减速机性能资料 REDUCER PERFORMANCE DATA

单级/One-stage



双级/Two-stage



(1) 请参照马达轴径尺寸
(2) 马达轴最长长度, 如有特殊的马达轴尺寸, 请与法斯頓联系
(3) 减速机输入端尺寸, 依马达的法兰面而定
*如无适合的尺寸, 请与法斯頓联系

(1) Please refer to the motor shaft diameter
(2) Motor shaft length, for special motor shaft size, please contact FASTON
(3) Reducer input size, depending on the flange surface of the motor
*If no suitable size available, please contact FASTON

A ≤ 48

B ≤ 55

C ≤ 35

D ≤ 42