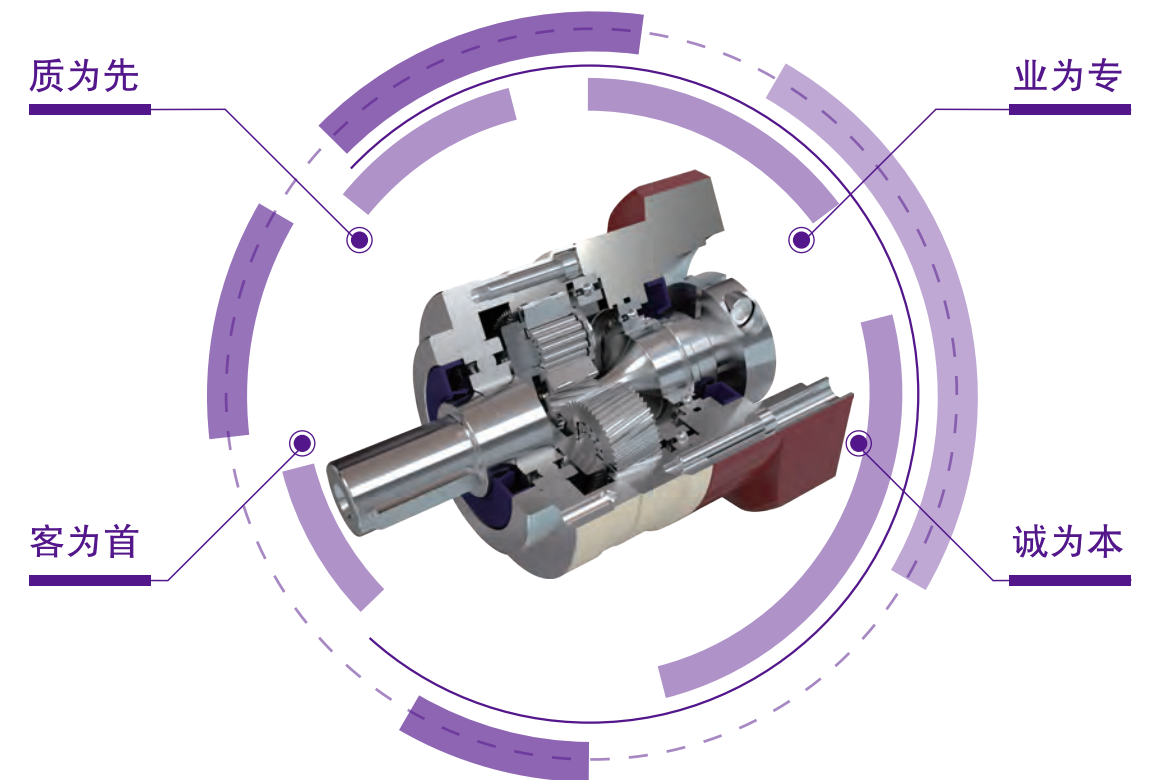


FKE系列—合理的经济选择

FKE SERIES—RATIONAL ECONOMICAL CHOICE

125/126



与其他系列行星齿轮减速机相比，FKE系列行星齿轮减速机更加经济适用。它在任何领域都能提供几乎满足所有需求的最经济型解决方案。

Compared with other series of planetary gear reducers, the FKE series of planetary gear reducers are more economical and applicable. It can provide the most economical solution that meets almost all needs in any field.

技术参数* TECHNICAL PARAMETERS

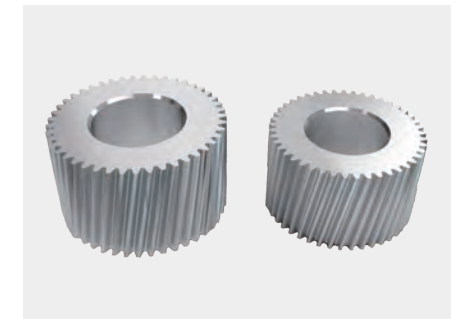
回程间隙 Return clearance	arcmin	1~7
速比 Speed ratio	i	3~100
额定输出力矩 Rated output torque	Nm	40~1700
使用温度°C Using temperature°C	°C	-10~90
噪音 The noise	dB(A)	58~70
工作效率 The work efficiency	%	97
工作寿命 The working life	h	20000



FKE系列—合理的经济选择
FKE series-rational economical choice



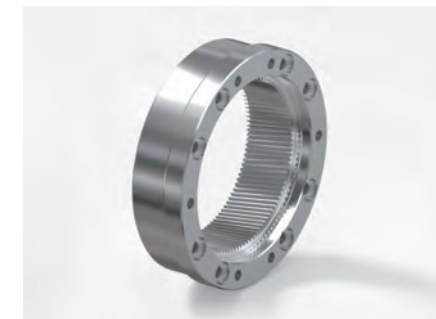
行星架一体式设计，确保高强度，大扭矩
Planetary frame integrated design ensures high strength and high torque



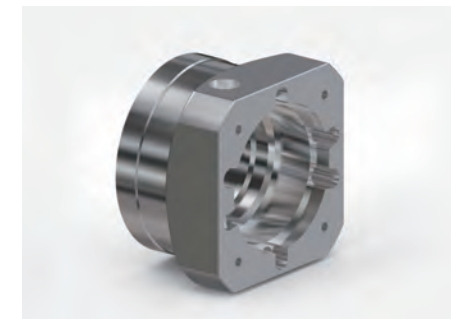
齿面宽，参数做大，实现高强度
The tooth surface is wide, the parameters are larger, and the high strength is achieved



输出轴一体化设计，确保精度和同心度
Output shaft integrated design to ensure accuracy and concentricity



宽齿面宽，结构最优化设计
Wide tooth surface width, structural optimization design



优美的一体化输入连接法兰，强度高
Elegant integrated input flange with high strength

减速机性能资料 REDUCER PERFORMANCE DATA

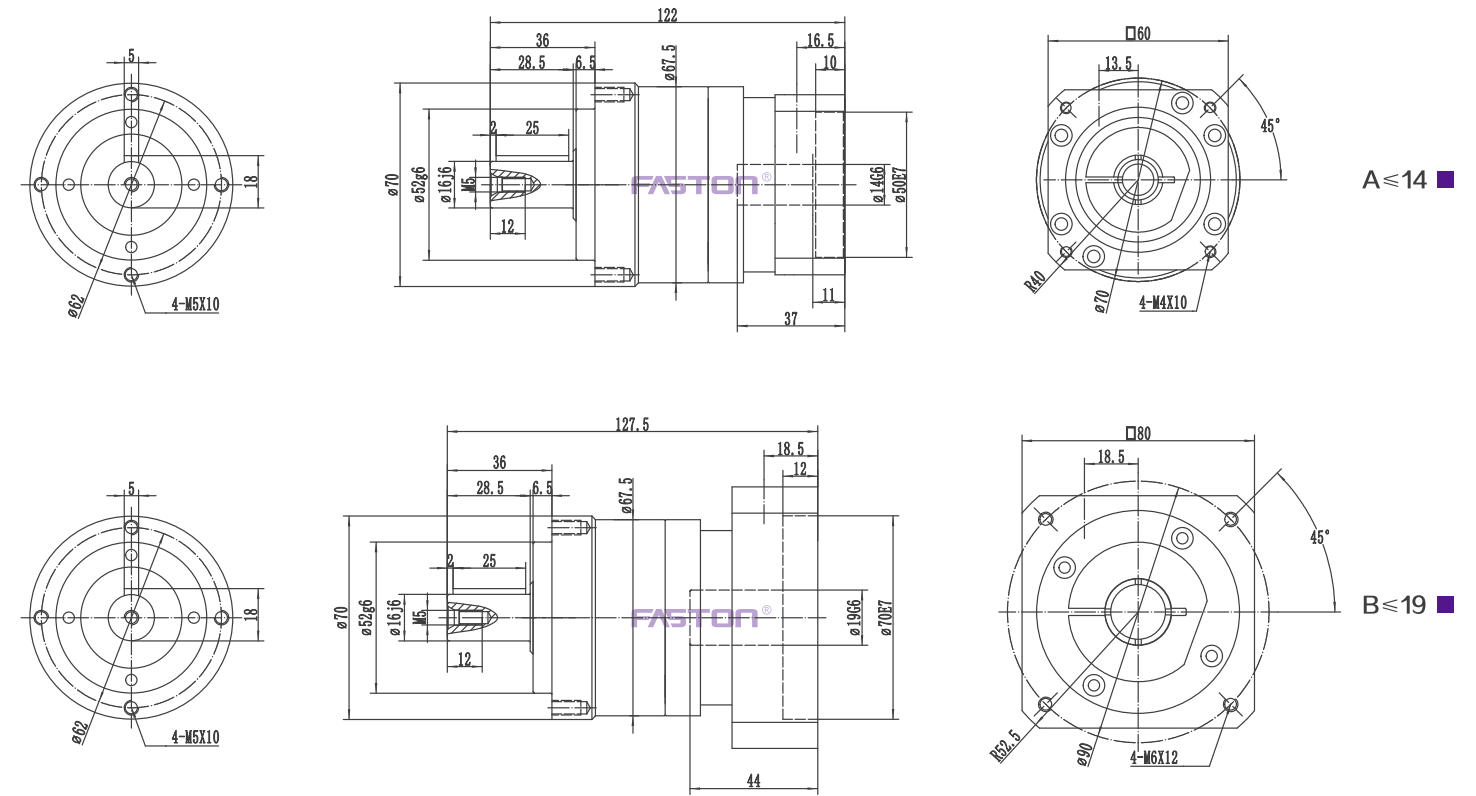
FKE070				单级/One-stage							双级/Two-stage										
速比 ⁽¹⁾ Speed ratio	i			3	4	5	6	7	8	9	10	12	16	20	25	35	40	50	70	100	
额定输出力矩(n_{1N}) Rated output torque	T_{2N}	Nm		55	50	50	55	50	45	40	40	55	50	50	60	50	50	55	50	40	
紧急制动转矩 (在减速机使用寿命内允许1000次) Emergency braking torque (1000 times during the working life of the reducer)	T_{2NOT}	Nm	3倍额定输出力矩/3 Times rated output torque																		
额定输入转速(T_{2n} , 20°C环境温度) Rated input speed (T_{2n} , 20°C ambient temperature)	n_{1N}	rpm	4000																		
最大输入转速 Maximum input speed	n_{1max}	rpm	8000																		
空载力矩($n_1=3000rpm$, 20°C环境温度) No-load torque ($n_1=3000RPM$, 20°C ambient temperature)	T_{012}	Nm	0.9	0.8	0.8	0.7	0.6	0.5	0.5	0.4	0.6	0.6	0.55	0.5	0.5	0.4	0.4	0.35	0.3		
回程间隙PS Backlash PS	j_t	Arcmin	≤1							≤2											
回程间隙P0 Backlash P0	j_t	Arcmin	≤2							≤3											
回程间隙P1 Backlash P1	j_t	Arcmin	≤3							≤5											
回程间隙P2 Backlash P2	j_t	Arcmin	≤5							≤7											
扭转刚度 Torsional stiffness	C_{121}	Nm/Arcmin	3.5																		
最大轴向力 ⁽²⁾ Maximum axial force	F_{2AMax}	N	630																		
最大径向力 ⁽²⁾ Maximum radial force	F_{2RMax}	N	1100																		
工作效率 Work efficiency	η	%	97							94											
使用寿命 ⁽³⁾ Service life	L_h	h	20000																		
噪音($i=10$ 和 $n_1=3000rpm$, 空载) Noise($i=10$ and $n_1=3000rpm$, no load)	L_{PA}	DB(A)	≤58																		
重量 Weight	m	Kg	1.3							1.8											
安装方向 Installation direction	任意方向/Any direction																				
使用温度 ⁽⁴⁾ Operating temperature	-10~90																				
润滑方式 Lubrication method	终生润滑/Lifetime lubrication																				
防护等级 Protection level	IP65																				
转动惯量 Moment of inertia 按减速机输入直径(mm) Input diameter based on the reducer(mm)	11	J_1	Kgcm ²	0.25	0.2	0.2	0.15	0.13	0.12	0.1	0.1	0.1	0.1	0.09	0.08	0.08	0.08	0.08	0.08	0.08	
	14	J_1	Kgcm ²	0.28	0.25	0.25	0.22	0.18	0.17	0.15	0.14	0.17	0.17	0.17	0.16	0.16	0.16	0.16	0.16	0.16	0.15
	19	J_1	Kgcm ²	0.65	0.6	0.55	0.55	0.52	0.5	0.5	0.48	0.18	0.18	0.16	0.15	0.15	0.15	0.15	0.15	0.14	0.14

1. 可选其他减速比
2. 输出轴中心点
3. 连续运转时, 使用寿命为10000h
4. 对温度有特殊要求请与法斯頓联系

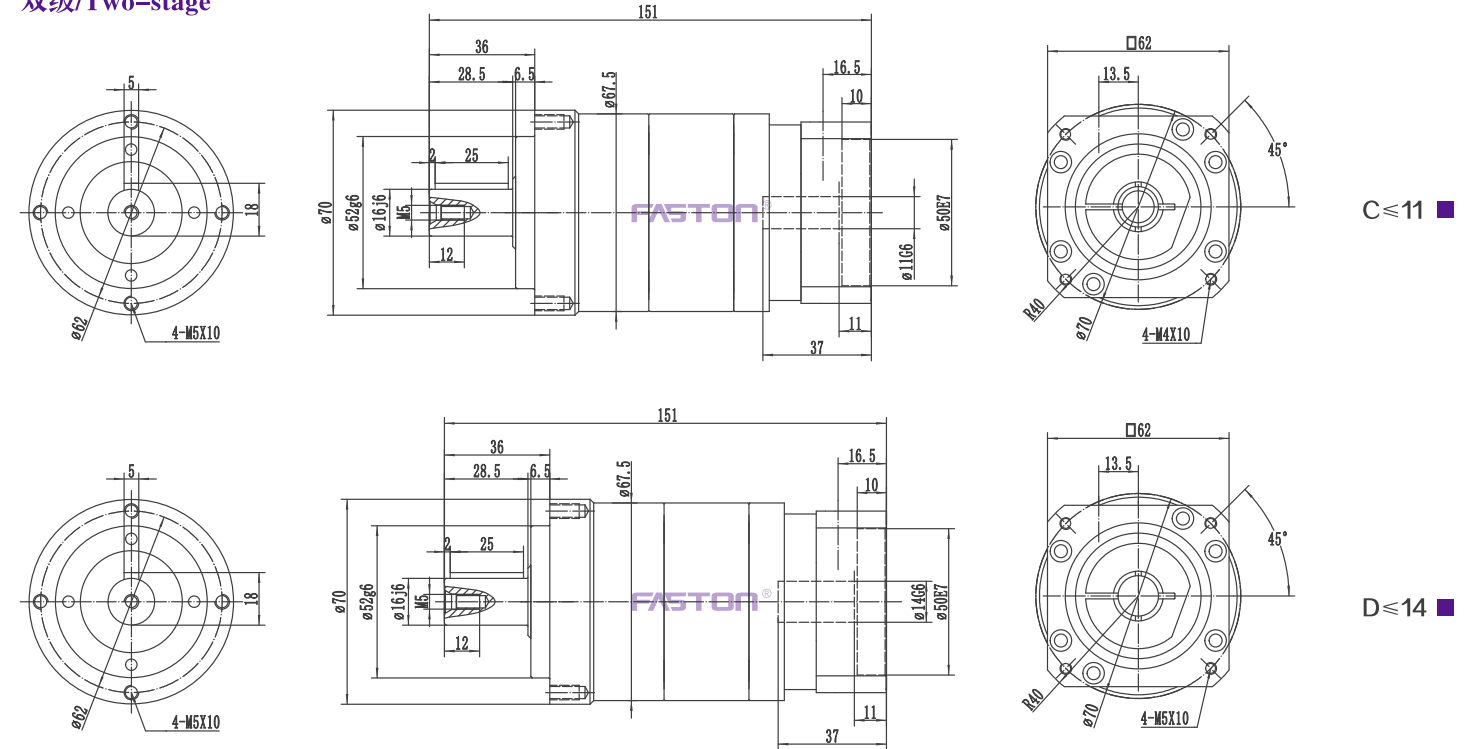
1. Optional other ratio
2. Output shaft center point
3. Service life of 10000h in continuous operation
4. For special requirements on temperature, please contact FASTON

减速机性能资料 REDUCER PERFORMANCE DATA

单级/One-stage



双级/Two-stage



(1) 请参照马达轴径尺寸
(2) 马达轴最长长度, 如有特殊的马达轴尺寸, 请与法斯頓联系
(3) 减速机输入端尺寸, 依马达的法兰面而定
*如无适合的尺寸, 请与法斯頓联系

(1) Please refer to the motor shaft diameter
(2) Motor shaft length, for special motor shaft size, please contact FASTON
(3) Reducer input size, depending on the flange surface of the motor
*If no suitable size available, please contact FASTON

减速机性能资料 REDUCER PERFORMANCE DATA

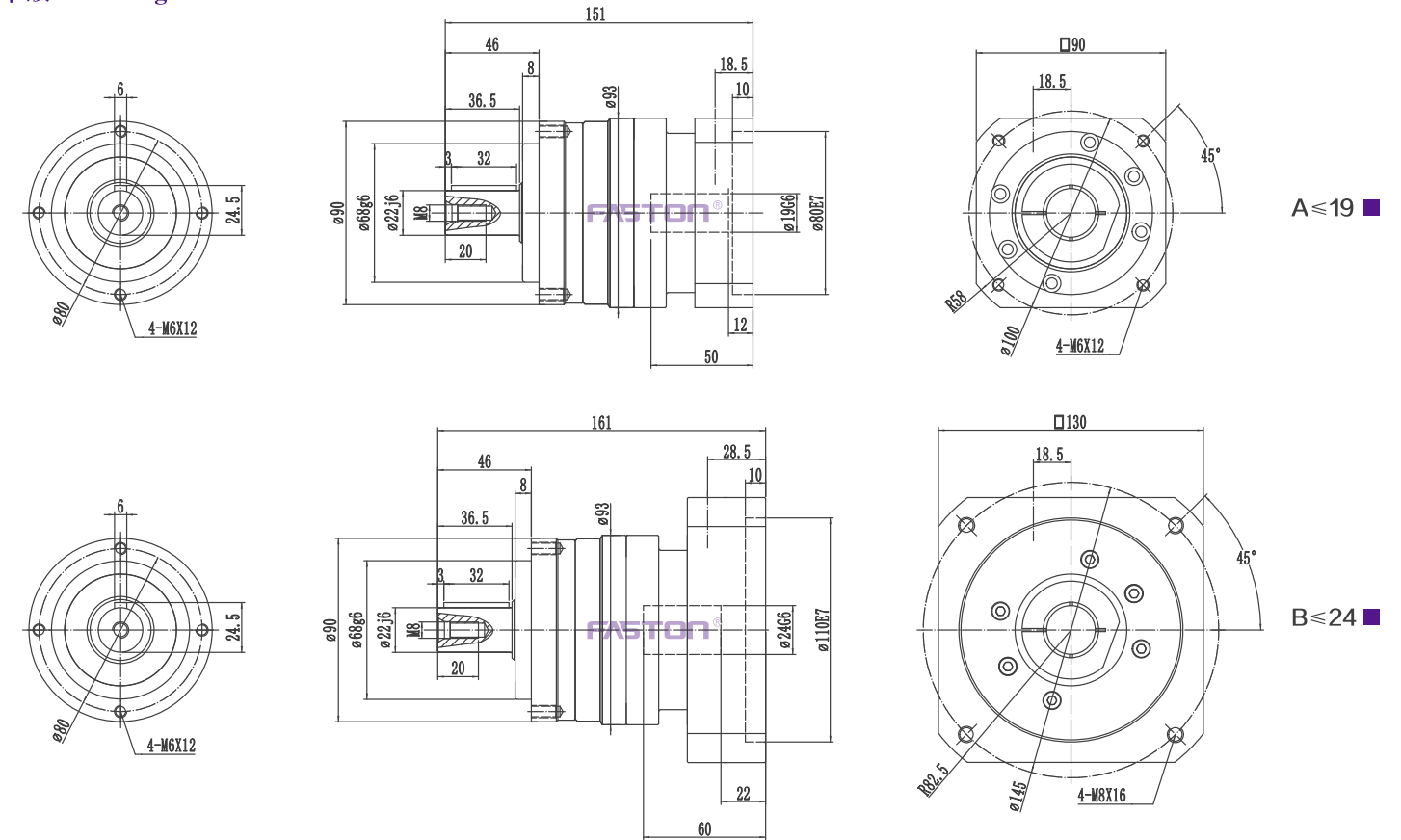
FKE090				单级/One-stage							双级/Two-stage									
速比 ⁽¹⁾ Speed ratio	i			3	4	5	6	7	8	9	10	12	16	20	25	35	40	50	70	100
额定输出力矩(n_{1N}) Rated output torque	T_{2N}	Nm		130	140	160	140	140	120	100	100	130	140	140	160	140	140	160	120	100
紧急制动力矩 (在减速机工作寿命内允许1000次) Emergency braking torque (1000 times during the working life of the reducer)	T_{2NOT}	Nm	3倍额定输出力矩/3 Times rated output torque																	
额定输入转速 (T_{2n} , 20°C环境温度) Rated input speed (T_{2n} , 20°C ambient temperature)	n_{1N}	rpm	3000																	
最大输入转速 Maximum input speed	n_{1max}	rpm	6000																	
空载力矩($n_1=3000rpm$, 20°C环境温度) No-load torque ($n_1=3000RPM$, 20°C ambient temperature)	T_{012}	Nm	1.8	1.7	1.6	1.5	1.4	1.1	0.8	0.7	0.9	0.8	0.7	0.6	0.5	0.5	0.4	0.3	0.3	
回程间隙PS Backlash PS	j_t	Arcmin	≤1							≤2										
回程间隙P0 Backlash P0	j_t	Arcmin	≤2							≤3										
回程间隙P1 Backlash P1	j_t	Arcmin	≤3							≤5										
回程间隙P2 Backlash P2	j_t	Arcmin	≤5							≤7										
扭转刚度 Torsional stiffness	C_{121}	Nm/Arcmin	10.5																	
最大轴向力 ⁽²⁾ Maximum axial force	F_{2AMax}	N	1230																	
最大径向力 ⁽²⁾ Maximum radial force	F_{2RMax}	N	2200																	
工作效率 Work efficiency	η	%	97							94										
工作寿命 ⁽³⁾ Service life	L_h	h	20000																	
噪音($i=10$ 和 $n_1=3000rpm$, 空载) Noise($i=10$ and $n_1=3000rpm$, no load)	L_{PA}	DB(A)	≤60																	
重量 Weight	m	Kg	3.9							4.6										
安装方向 Installation direction	任意方向/Any direction																			
使用温度 ⁽⁴⁾ Operating temperature	-10~90																			
润滑方式 Lubrication method	终生润滑/Lifetime lubrication																			
防护等级 Protection level	IP65																			
转动惯量 Moment of inertia 按减速机输入直径(mm) Input diameter based on the reducer(mm)	19	J_1	Kgcm ²	1.3	1.3	1.2	1.1	0.9	0.8	0.7	0.6	0.25	0.23	0.21	0.2	0.18	0.18	0.18	0.16	0.16
	22	J_1	Kgcm ²	2.2	2.1	2	2	1.8	1.7	1.5	1.5	0.7	0.7	0.7	0.7	0.7	0.7	0.6	0.5	0.5
	24	J_1	Kgcm ²	2.5	2.4	2.3	2.3	2.2	2.2	2.1	2.1	0.8	0.8	0.7	0.7	0.7	0.7	0.65	0.6	0.6

1. 可选其他减速比
2. 输出轴中心点
3. 连续运转时, 使用寿命为10000h
4. 对温度有特殊要求请与法斯頓联系

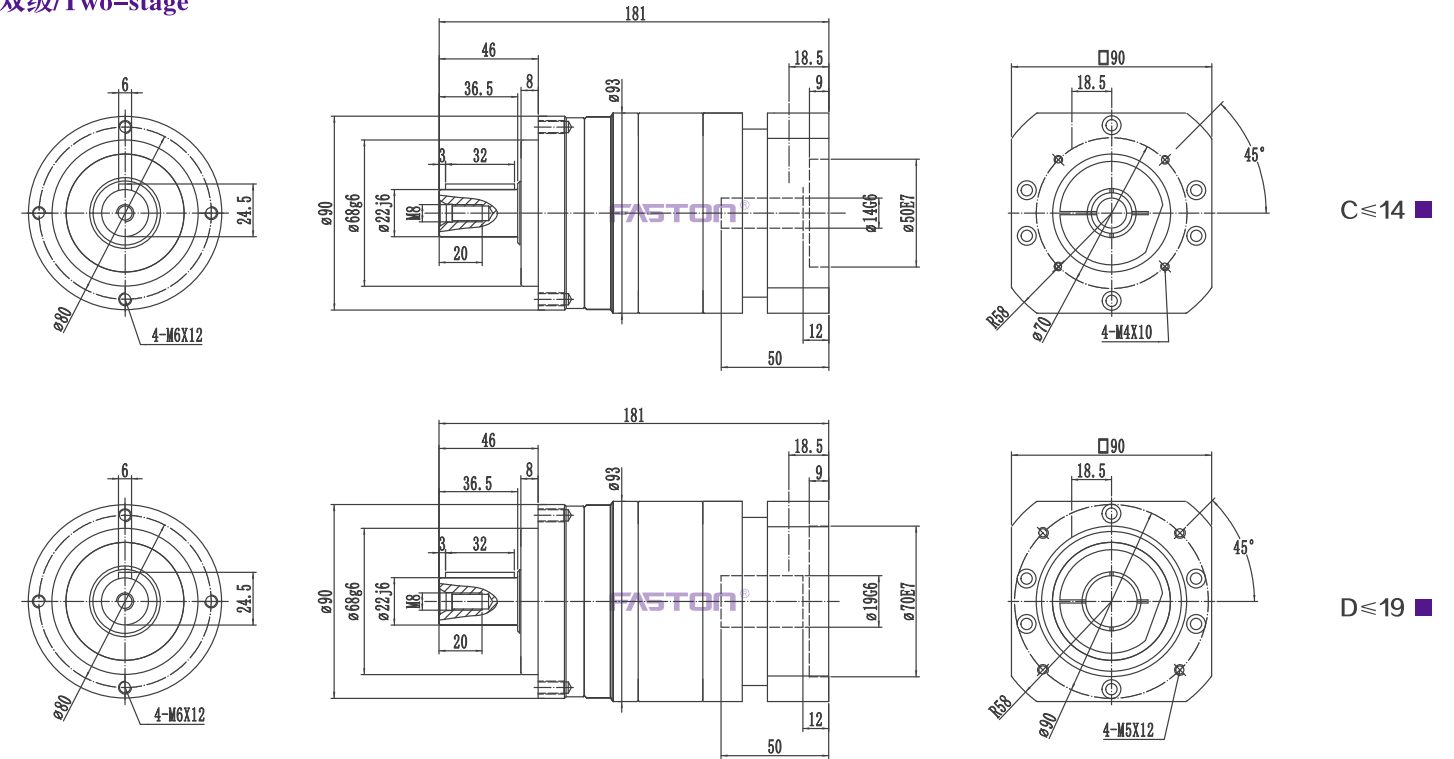
1. Optional other ratio
2. Output shaft center point
3. Service life of 10000h in continuous operation
4. For special requirements on temperature, please contact FASTON

减速机性能资料 REDUCER PERFORMANCE DATA

单级/One-stage



双级/Two-stage



(1) 请参照马达轴径尺寸
(2) 马达轴最长长度, 如有特殊的马达轴尺寸, 请与法斯頓联系
(3) 减速机输入端尺寸, 依马达的法兰面而定
*如无适合的尺寸, 请与法斯頓联系

(1) Please refer to the motor shaft diameter
(2) Motor shaft length, for special motor shaft size, please contact FASTON
(3) Reducer input size, depending on the flange surface of the motor
*If no suitable size available, please contact FASTON

减速机性能资料 REDUCER PERFORMANCE DATA

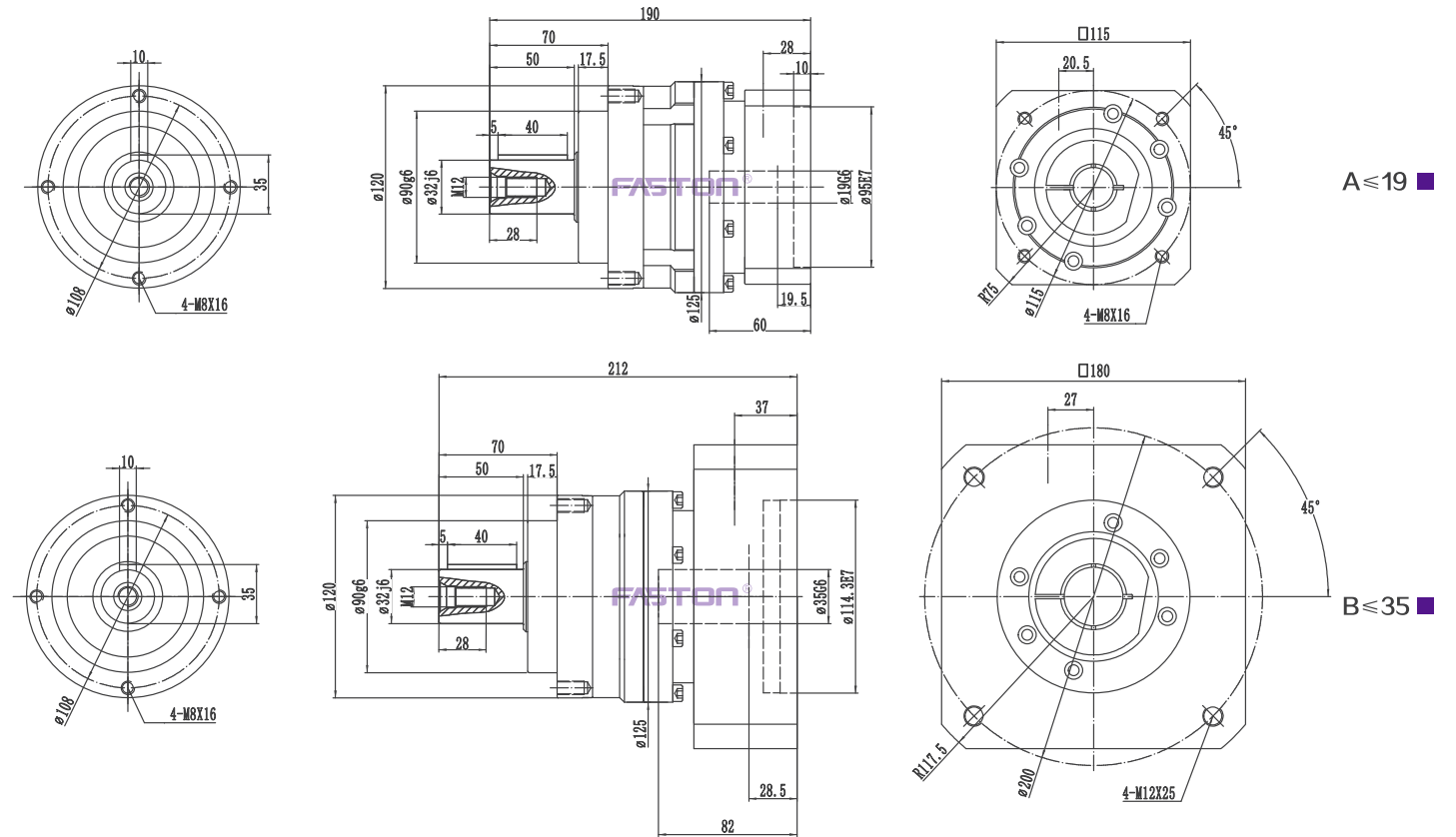
FKE115				单级/One-stage							双级/Two-stage									
速比 ⁽¹⁾ Speed ratio	i			3	4	5	6	7	8	9	10	12	16	20	25	35	40	50	70	100
额定输出力矩(n_{1N}) Rated output torque	T_{2N}	Nm		208	290	330	300	300	260	230	230	208	290	290	330	300	330	330	300	230
紧急制动力矩 (在减速机使用寿命内允许1000次) Emergency braking torque (1000 times during the working life of the reducer)	T_{2NOT}	Nm	3倍额定输出力矩/3 Times rated output torque																	
额定输入转速(T_{2n} , 20°C环境温度) Rated input speed (T_{2n} , 20°C ambient temperature)	n_{1N}	rpm	3000																	
最大输入转速 Maximum input speed	n_{1max}	rpm	6000																	
空载力矩($n_l=3000$ rpm, 20°C环境温度) No-load torque ($n_l=3000$ RPM, 20°C ambient temperature)	T_{012}	Nm	3.6	3	2.7	2.5	2	1.8	1.6	1.5	1.8	1.6	1.6	1.5	1.2	1	0.8	0.7	0.6	
回程间隙PS Backlash PS	j_l	Arcmin	≤ 1							≤ 2										
回程间隙P0 Backlash P0	j_l	Arcmin	≤ 2							≤ 3										
回程间隙P1 Backlash P1	j_l	Arcmin	≤ 3							≤ 5										
回程间隙P2 Backlash P2	j_l	Arcmin	≤ 5							≤ 7										
扭转刚度 Torsional stiffness	C_{121}	Nm/Arcmin	20																	
最大轴向力 ⁽²⁾ Maximum axial force	F_{2AMax}	N	2550																	
最大径向力 ⁽²⁾ Maximum radial force	F_{2RMax}	N	5025																	
工作效率 Work efficiency	η	%	97							94										
使用寿命 ⁽³⁾ Service life	L_h	h	20000																	
噪音($i=10$ 和 $n_1=3000$ rpm, 空载) Noise($i=10$ and $n_1=3000$ rpm, no load)	L_{PA}	DB(A)	≤ 63																	
重量 Weight	m	Kg	8.7							10										
安装方向 Installation direction	任意方向/Any direction																			
使用温度 ⁽⁴⁾ Operating temperature	-10~90																			
润滑方式 Lubrication method	终生润滑/Lifetime lubrication																			
防护等级 Protection level	IP65																			
转动惯量 Moment of inertia 按减速机输入直径(mm) Input diameter based on the reducer(mm)	19	J_1	Kgcm ²	3.5	3	2.6	2.2	2	1.8	1.6	1.5	0.7	0.7	0.7	0.7	0.7	0.6	0.6	0.5	0.5
	24	J_1	Kgcm ²	4.8	4.6	4.5	4	3.5	3	2.7	2.5	2	1.8	1.8	1.7	1.7	1.6	1.4	1.4	1.4
	35	J_1	Kgcm ²	11.5	10.5	10	10	9.9	9.9	9.6	9.5	2.2	2.1	2.1	2	2	1.9	1.8	1.8	1.7

1. 可选其他减速比
2. 输出轴中心点
3. 连续运转时, 使用寿命为10000h
4. 对温度有特殊要求请与法斯頓联系

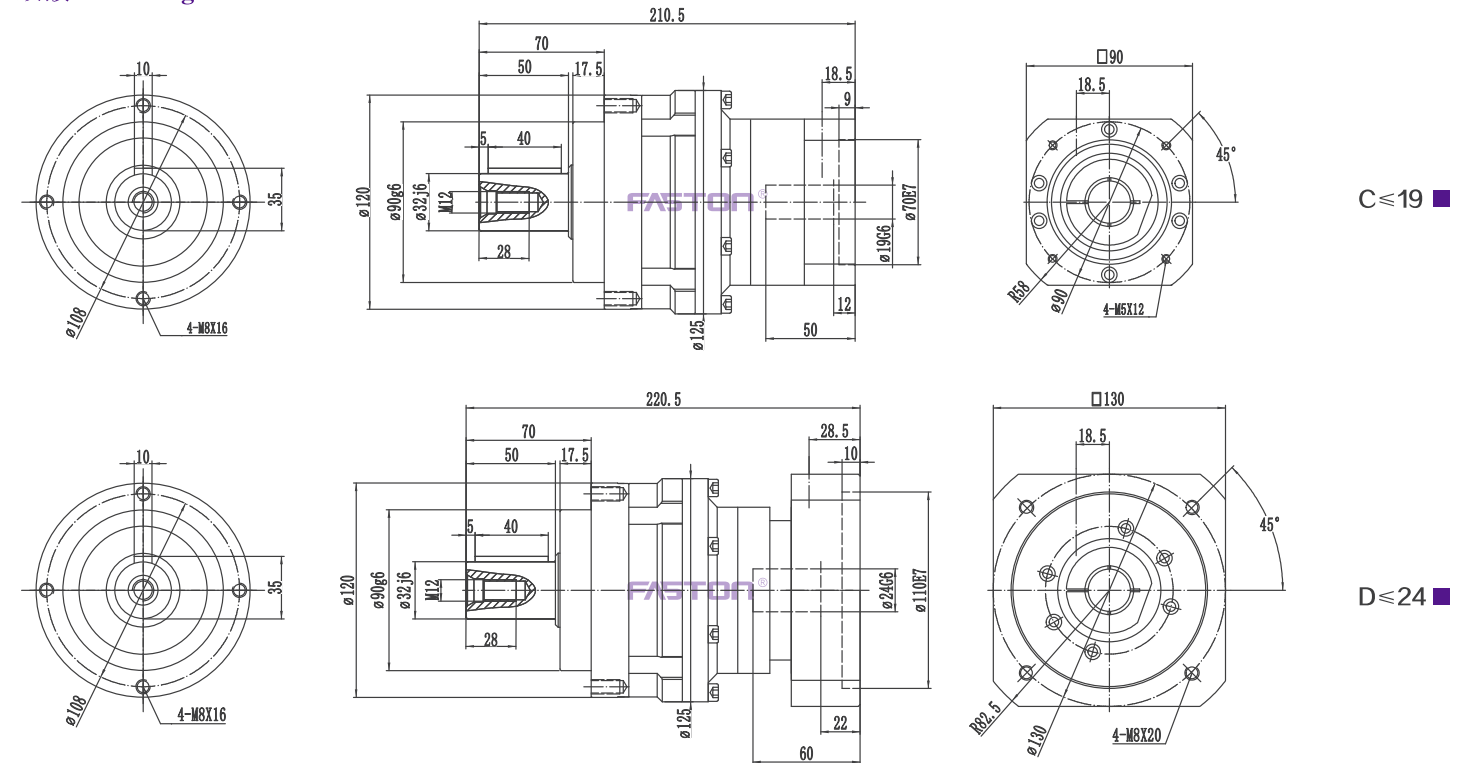
1. Optional other ratio
2. Output shaft center point
3. Service life of 10000h in continuous operation
4. For special requirements on temperature, please contact FASTON

减速机性能资料 REDUCER PERFORMANCE DATA

单级/One-stage



双级/Two-stage



(1) 请参照马达轴径尺寸
(2) 马达轴最长长度, 如有特殊的马达轴尺寸, 请与法斯頓联系
(3) 减速机输入端尺寸, 依马达的法兰面而定
*如无适合的尺寸, 请与法斯頓联系

(1) Please refer to the motor shaft diameter
(2) Motor shaft length, for special motor shaft size, please contact FASTON
(3) Reducer input size, depending on the flange surface of the motor
*If no suitable size available, please contact FASTON

减速机性能资料 REDUCER PERFORMANCE DATA

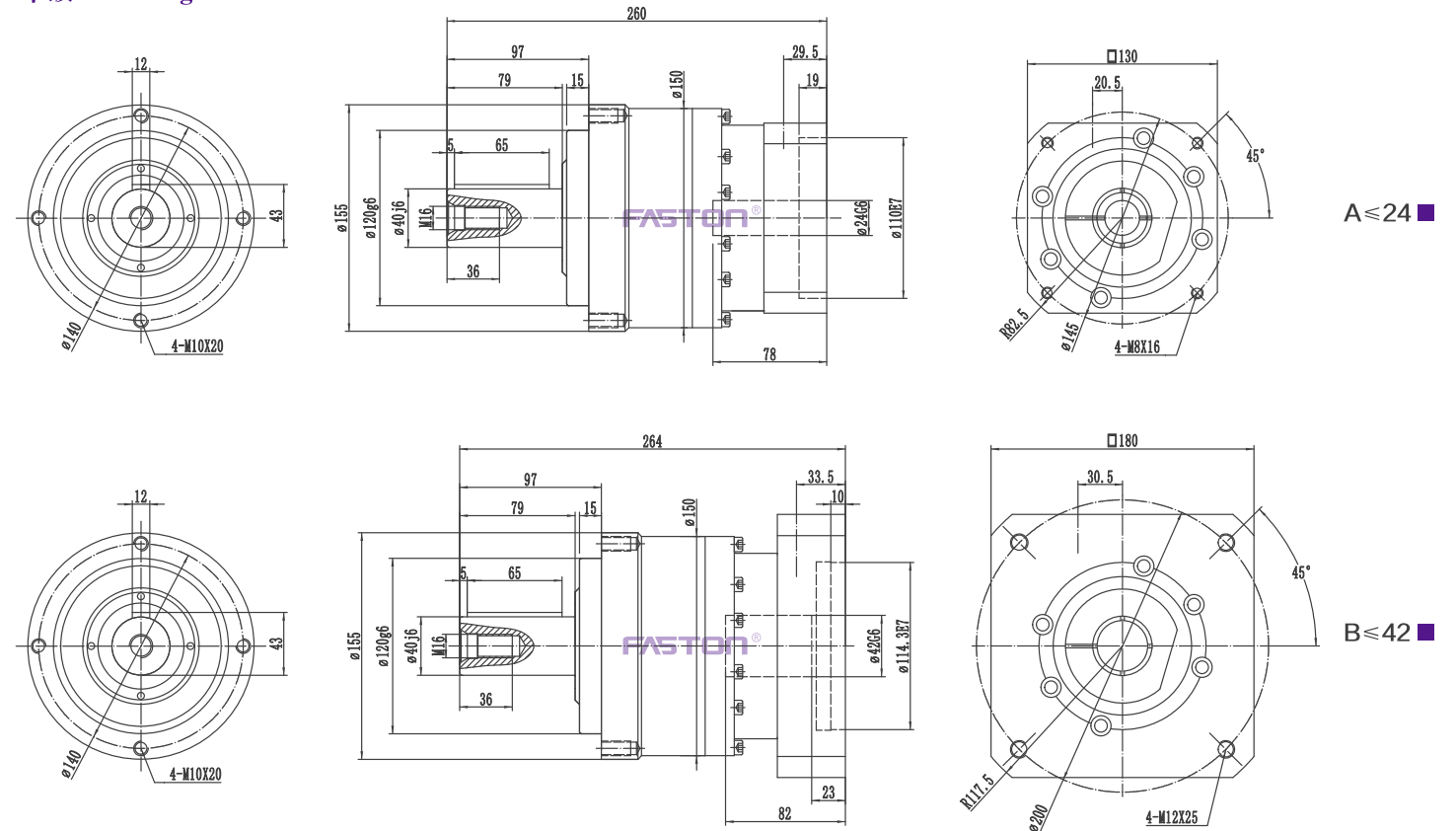
FKE155				单级/One-stage							双级/Two-stage									
速比 ⁽¹⁾ Speed ratio	i			3	4	5	6	7	8	9	10	12	16	20	25	35	40	50	70	100
额定输出力矩(n _{1N}) Rated output torque	T _{2N}	Nm		342	542	650	550	550	500	450	450	342	543	542	650	550	542	650	550	450
紧急制动力矩 (在减速机使用寿命内允许1000次) Emergency braking torque (1000 times during the working life of the reducer)	T _{2NOT}	Nm	3倍额定输出力矩/3 Times rated output torque																	
额定输入转速(T _{2n} , 20°C环境温度) Rated input speed (T _{2n} , 20 °C ambient temperature)	n _{1N}	rpm	3000																	
最大输入转速 Maximum input speed	n _{1max}	rpm	6000																	
空载力矩(nl=3000rpm, 20°C环境温度) No-load torque (nl=3000 RPM, 20°C ambient temperature)	T ₀₁₂	Nm	8	6	4.7	4.5	3.5	2.5	2.5	2.5	3.5	2.8	2.6	2.2	2.0	1.9	1.8	1.6	1.5	
回程间隙PS Backlash PS	j _t	Arcmin	≤ 1							≤ 2										
回程间隙P0 Backlash P0	j _t	Arcmin	≤ 2							≤ 3										
回程间隙P1 Backlash P1	j _t	Arcmin	≤ 3							≤ 5										
回程间隙P2 Backlash P2	j _t	Arcmin	≤ 5							≤ 7										
扭转刚度 Torsional stiffness	C _{t21}	Nm/Arcmin	39																	
最大轴向力 ⁽²⁾ Maximum axial force	F _{2AMax}	N	3780																	
最大径向力 ⁽²⁾ Maximum radial force	F _{2RMax}	N	7610																	
工作效率 Work efficiency	η	%	97							94										
工作寿命 ⁽³⁾ Service life	L _h	h	20000																	
噪音(i=10和n1=3000rpm, 空载) Noise(i=10 and n1=3000rpm, no load)	L _{PA}	DB(A)	≤ 65																	
重量 Weight	m	Kg	16							20										
安装方向 Installation direction	任意方向/Any direction																			
使用温度 ⁽⁴⁾ Operating temperature	-10~90																			
润滑方式 Lubrication method	终生润滑/Lifetime lubrication																			
防护等级 Protection level	IP65																			
转动惯量 Moment of inertia 按减速机输入直径(mm) Input diameter based on the reducer(mm)	24	J ₁	Kgcm ²	10.5	8	8	7.2	7	6.5	5.8	5.5	2.6	2.2	2	1.7	1.7	1.6	1.4	1.4	1.4
	35	J ₁	Kgcm ²	14.5	12	11	10	10	9.5	9.5	9	3.3	3.2	3	2.9	2.7	2.5	2.3	2.2	2
	42	J ₁	Kgcm ²	26	25	24.5	24.1	23.5	23	22.5	22	14.5	12	11	10	10	9.5	9.5	9	9

1. 可选其他减速比
2. 输出轴中心点
3. 连续运转时, 使用寿命为10000h
4. 对温度有特殊要求请与法斯頓联系

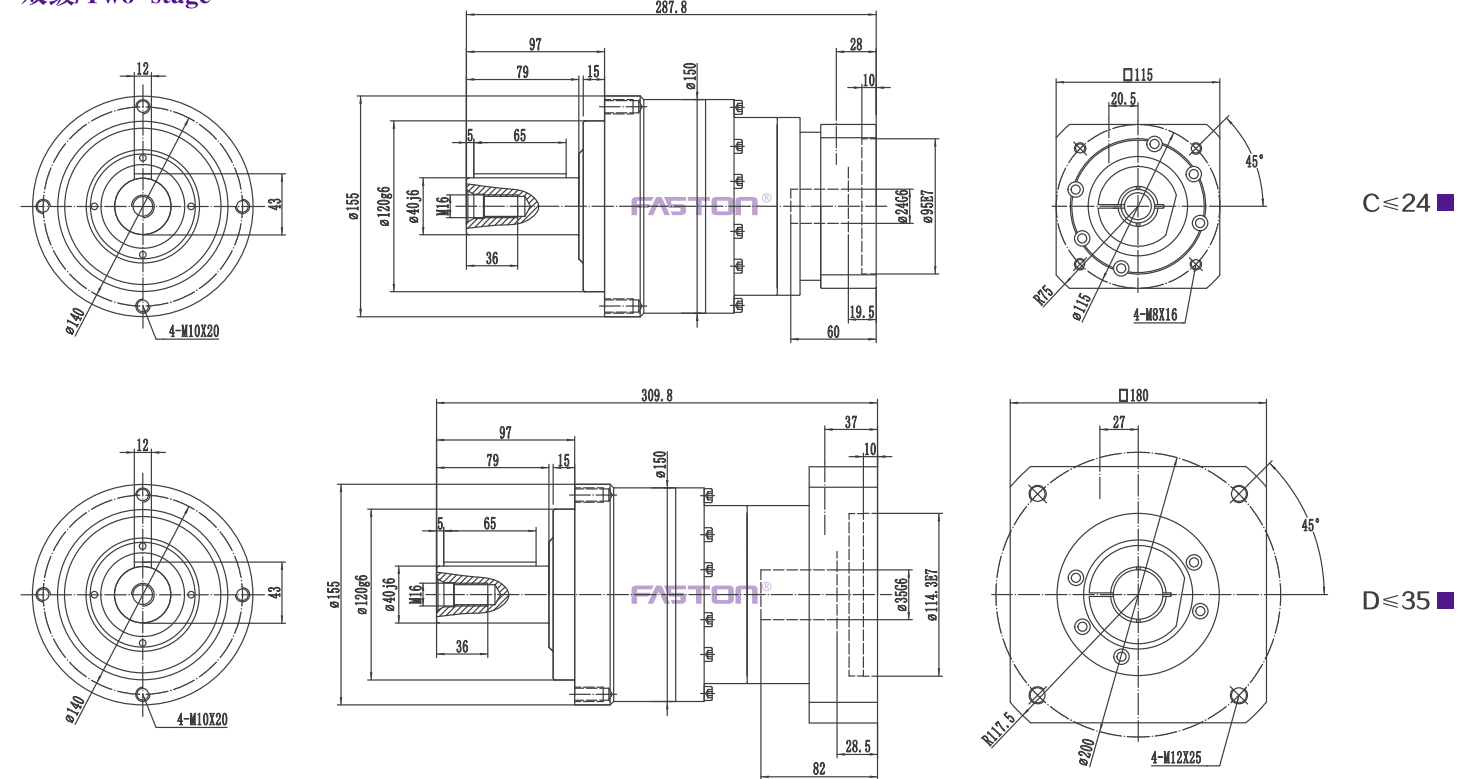
1. Optional other ratio
2. Output shaft center point
3. Service life of 10000h in continuous operation
4. For special requirements on temperature, please contact FASTON

减速机性能资料 REDUCER PERFORMANCE DATA

单级/One-stage



双级/Two-stage



(1) 请参照马达轴径尺寸
(2) 马达轴最长长度, 如有特殊的马达轴尺寸, 请与法斯頓联系
(3) 减速机输入端尺寸, 依马达的法兰面而定
*如无适合的尺寸, 请与法斯頓联系

(1) Please refer to the motor shaft diameter
(2) Motor shaft length, for special motor shaft size, please contact FASTON
(3) Reducer input size, depending on the flange surface of the motor
*If no suitable size available, please contact FASTON

A ≤ 24

B ≤ 42

C ≤ 24

D ≤ 35

减速机性能资料 REDUCER PERFORMANCE DATA

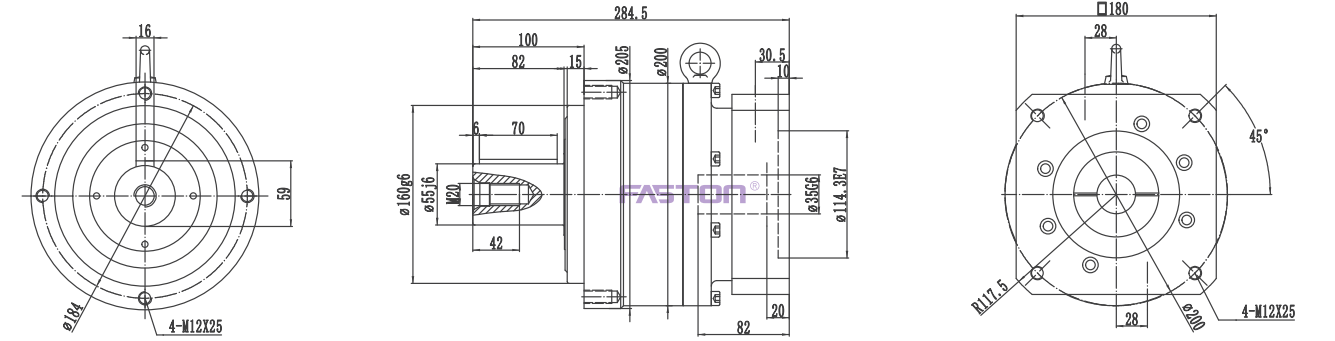
FKE205				单级/One-stage								双级/Two-stage								
速比 ⁽¹⁾ Speed ratio	i			3	4	5	6	7	8	9	10	12	16	20	25	35	40	50	70	100
额定输出力矩(n_{1N}) Rated output torque	T_{2N}	Nm		750	1050	1200	1100	1100	1000	900	900	750	1050	1050	1200	1100	1020	1200	1100	900
紧急制动力矩 (在减速机使用寿命内允许1000次) Emergency braking torque (1000 times during the working life of the reducer)	T_{2NOT}	Nm	3倍额定输出力矩/3 Times rated output torque																	
额定输入转速(T_{2n} , 20°C环境温度) Rated input speed (T_{2n} , 20°C ambient temperature)	n_{1N}	rpm	3000																	
最大输入转速 Maximum input speed	n_{1max}	rpm	6000																	
空载力矩($n_1=3000$ rpm, 20°C环境温度) No-load torque ($n_1=3000$ RPM, 20°C ambient temperature)	T_{012}	Nm	15	13	12	11	9	7.5	6.5	5.5	14	11	11	9	9	8	7	6.8	5	
回程间隙PS Backlash PS	j_t	Arcmin	≤1								≤2									
回程间隙P0 Backlash P0	j_t	Arcmin	≤2								≤3									
回程间隙P1 Backlash P1	j_t	Arcmin	≤3								≤5									
回程间隙P2 Backlash P2	j_t	Arcmin	≤5								≤7									
扭转刚度 Torsional stiffness	C_{121}	Nm/Arcmin	115																	
最大轴向力 ⁽²⁾ Maximum axial force	F_{2AMax}	N	5875																	
最大径向力 ⁽²⁾ Maximum radial force	F_{2RMax}	N	10900																	
工作效率 Work efficiency	η	%	97								94									
使用寿命 ⁽³⁾ Service life	L_h	h	20000																	
噪音($i=10$ 和 $n_1=3000$ rpm, 空载) Noise($i=10$ and $n_1=3000$ rpm, no load)	L_{PA}	DB(A)	≤67																	
重量 Weight	m	Kg	31								39									
安装方向 Installation direction	任意方向/Any direction																			
使用温度 ⁽⁴⁾ Operating temperature	-10~90																			
润滑方式 Lubrication method	终生润滑/Lifetime lubrication																			
防护等级 Protection level	IP65																			
转动惯量 Moment of inertia 按减速机输入直径(mm) Input diameter based on the reducer(mm)	35	J_1	Kgcm ²	49	35	30	25	23	22	20	19	9.5	9	8.8	8.2	7.9	7.5	6.8	6.2	5.5
	42	J_1	Kgcm ²	52	41	37	36	35	32	30	28	12	11.4	10.9	10.2	9.8	9.7	9.3	9.0	8.5
	55	J_1	Kgcm ²	66	50	44	42	40	38	38	36	13	12.1	11	10.5	10.2	10	9.9	9.8	9.5

1. 可选其他减速比
2. 输出轴中心点
3. 连续运转时, 使用寿命为10000h
4. 对温度有特殊要求请与法斯頓联系

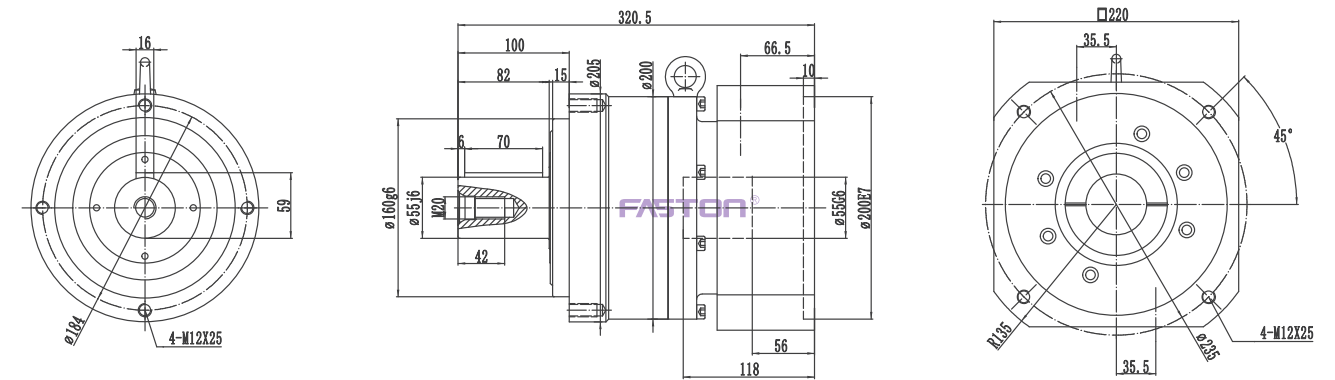
1. Optional other ratio
2. Output shaft center point
3. Service life of 10000h in continuous operation
4. For special requirements on temperature, please contact FASTON

减速机性能资料 REDUCER PERFORMANCE DATA

单级/One-stage

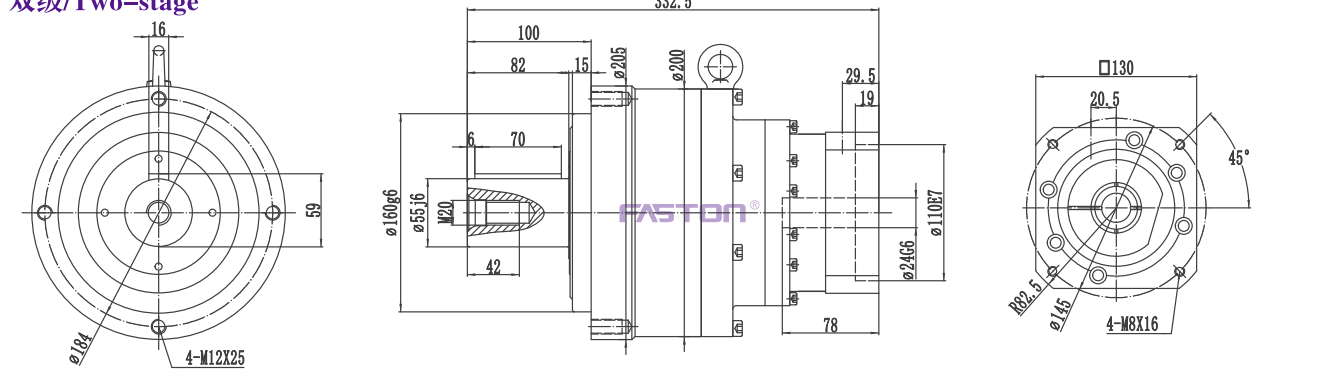


A ≤ 35 ■

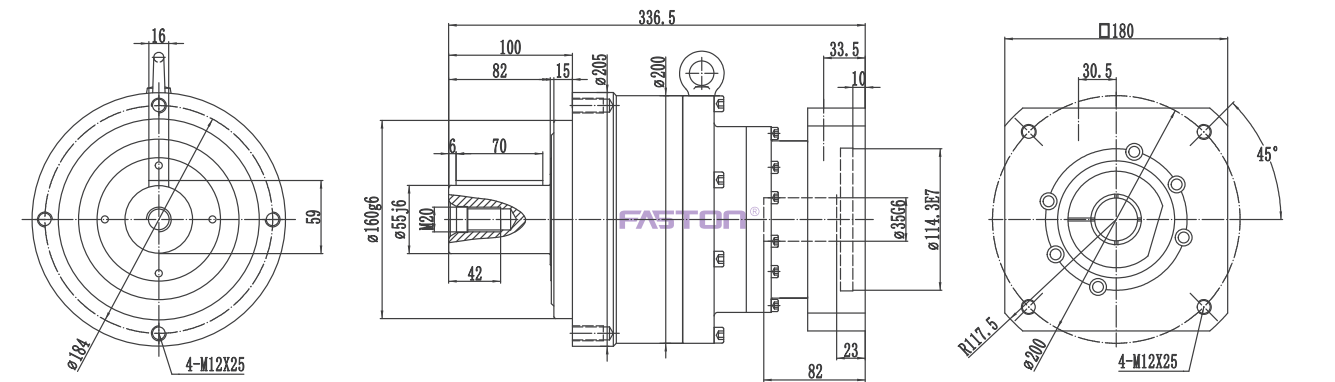


B ≤ 55 ■

双级/Two-stage



C ≤ 24 ■



D ≤ 35 ■

(1) 请参照马达轴径尺寸
(2) 马达轴最长长度, 如有特殊的马达轴尺寸, 请与法斯頓联系
(3) 减速机输入端尺寸, 依马达的法兰面而定
*如无适合的尺寸, 请与法斯頓联系

(1) Please refer to the motor shaft diameter
(2) Motor shaft length, for special motor shaft size, please contact FASTON
(3) Reducer input size, depending on the flange surface of the motor
*If no suitable size available, please contact FASTON

减速机性能资料 REDUCER PERFORMANCE DATA

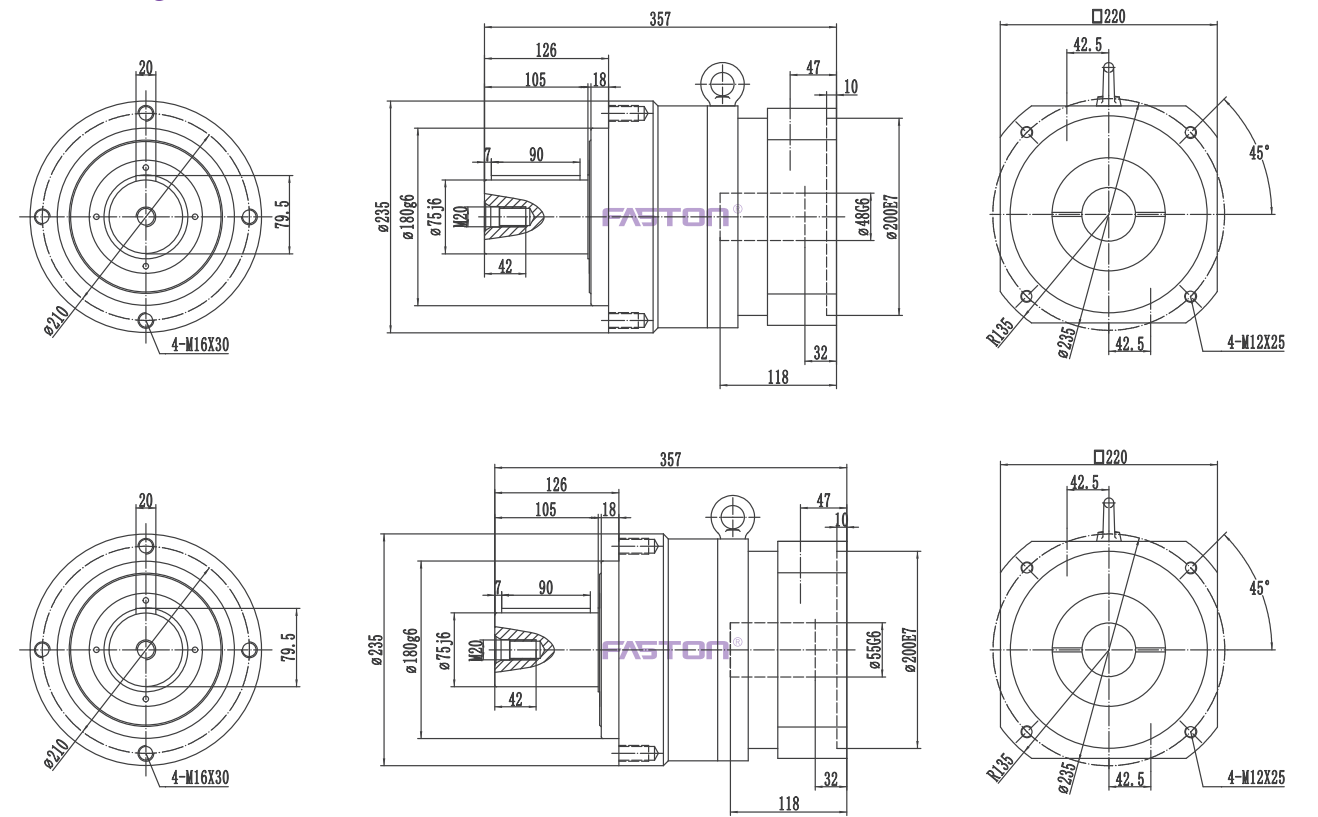
FKE235			单级/One-stage							双级/Two-stage										
速比 ⁽¹⁾ Speed ratio	i		3	4	5	6	7	8	9	10	12	16	20	25	35	40	50	70	100	
额定输出力矩(n _{1N}) Rated output torque	T _{2N}	Nm	1140	1700	2000	1800	1800	1600	1500	1500	1140	1700	1700	2000	1800	1700	2000	1800	1500	
紧急制动力矩 (在减速机使用寿命内允许1000次) Emergency braking torque (1000 times during the working life of the reducer)	T _{2NOT}	Nm	3倍额定输出力矩/3 Times rated output torque																	
额定输入转速(T _{2n} , 20°C环境温度) Rated input speed (T _{2n} , 20°C ambient temperature)	n _{1N}	rpm	2000																	
最大输入转速 Maximum input speed	n _{1max}	rpm	4000																	
空载力矩(nl=3000rpm, 20°C环境温度) No-load torque (nl=3000 RPM, 20°C ambient temperature)	T ₀₁₂	Nm	33	22	17	8	6	5	4.5	3.5	14	11	11	9	9	8	7	6.8	5	
回程间隙PS Backlash PS	j _t	Arcmin	≤ 1							≤ 2										
回程间隙P0 Backlash P0	j _t	Arcmin	≤ 2							≤ 3										
回程间隙P1 Backlash P1	j _t	Arcmin	≤ 3							≤ 5										
回程间隙P2 Backlash P2	j _t	Arcmin	≤ 5							≤ 7										
扭转刚度 Torsional stiffness	C _{t21}	Nm/Arcmin	180																	
最大轴向力 ⁽²⁾ Maximum axial force	F _{2AMax}	N	11200																	
最大径向力 ⁽²⁾ Maximum radial force	F _{2RMax}	N	24000																	
工作效率 Work efficiency	η	%	97							94										
使用寿命 ⁽³⁾ Service life	L _h	h	20000																	
噪音(i=10和n1=3000rpm, 空载) Noise(i=10 and n1=3000rpm, no load)	L _{PA}	DB(A)	≤ 70																	
重量 Weight	m	Kg	48							62										
安装方向 Installation direction	任意方向/Any direction																			
使用温度 ⁽⁴⁾ Operating temperature	-10~90																			
润滑方式 Lubrication method	终生润滑/Lifetime lubrication																			
防护等级 Protection level	IP65																			
转动惯量 Moment of inertia 按减速机输入直径(mm) Input diameter based on the reducer(mm)	42	J ₁	Kgcm ²	80	70	68	65	55	52	45	40	18	16	15.5	14	14	13	12	10.8	9.5
	55	J ₁	Kgcm ²	130	95	77	75	68	65	60	55	30	28	27	26.5	25.5	24	23	21	19.5

1. 可选其他减速比
2. 输出轴中心点
3. 连续运转时, 使用寿命为10000h
4. 对温度有特殊要求请与法斯頓联系

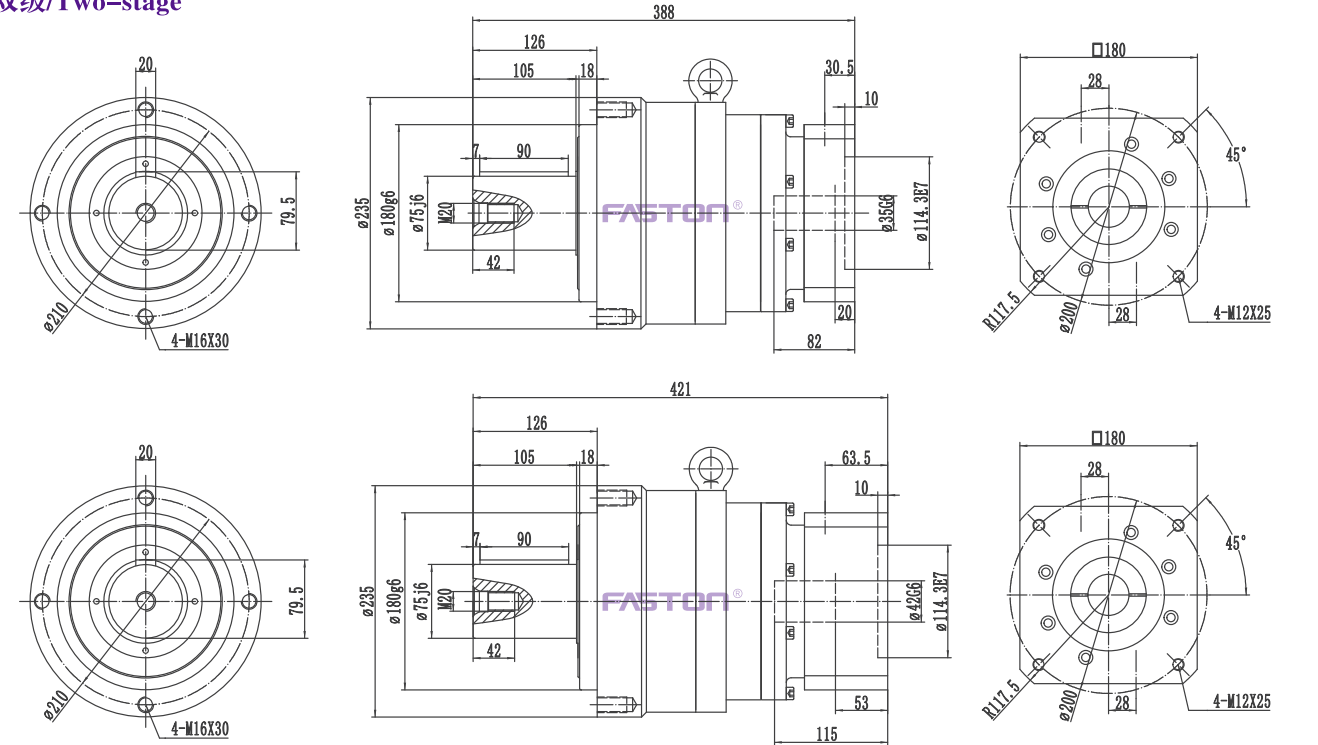
1. Optional other ratio
2. Output shaft center point
3. Service life of 10000h in continuous operation
4. For special requirements on temperature, please contact FASTON

减速机性能资料 REDUCER PERFORMANCE DATA

单级/One-stage



双级/Two-stage



(1) 请参照马达轴径尺寸
(2) 马达轴最长长度, 如有特殊的马达轴尺寸, 请与法斯頓联系
(3) 减速机输入端尺寸, 依马达的法兰面而定
*如无适合的尺寸, 请与法斯頓联系

(1) Please refer to the motor shaft diameter
(2) Motor shaft length, for special motor shaft size, please contact FASTON
(3) Reducer input size, depending on the flange surface of the motor
*If no suitable size available, please contact FASTON

A ≤ 48

B ≤ 55

C ≤ 35

D ≤ 42

减速机性能资料 REDUCER PERFORMANCE DATA

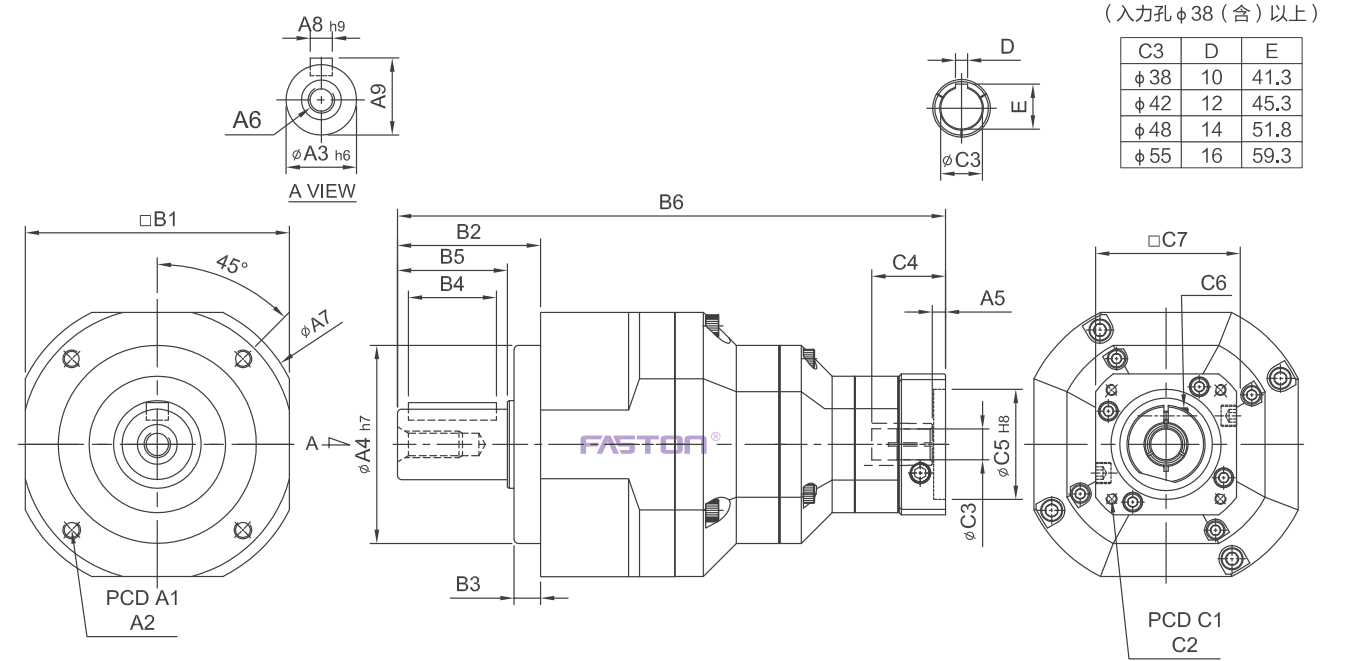
规格 Model No.	代号Code	单位 Unit	速比 Ratio	FKE090	FKE115	FKE155	FKE205	FKE235
额定输出力矩 Rated output torque (Nominal output torque)	T _{2N}	Nm	125	160	333	618	1,189	2,010
			150	165	335	625	1,206	2,030
			175	149	309	573	1,108	1,870
			200	146	300	555	1,069	1,804
			250	160	333	618	1,189	2,010
			300	151	311	583	1,118	1,911
			350	149	309	573	1,108	1,870
			400	143	298	553	1,070	1,824
			450	145	278	516	993	1,694
			500	160	333	618	1,189	2,010
			600	151	311	583	1,118	1,911
			700	149	309	573	1,108	1,870
			800	143	298	553	1,070	1,824
900	145	278	516	993	1,694			
1000	141	294	549	1,059	1,779			
最大加速扭矩 Max. Acceleration Torque	T _{2B}	Nm	125~1000	1.8 倍额定输出力矩 1.8 Times of Rated Output Torque				
最大输出扭矩 Max. Output Torque 急停扭矩 Emergency Stop Torque	T _{2NOT}	Nm	125~1000	3 倍额定输出力矩 3 Times of Rated Output Torque				
额定输入转速 Rated Input Speed	n _{1N}	rpm	125~1000	3,000	3,000	3,000	3,000	2,000
最大输入转速 Max. Input Speed	n _{1B}	rpm	125~1000	6,000	5,000	5,000	4,000	3,000
背隙 Backlash Ps		arcmin	125~1000	≤5	≤5	≤5	≤5	≤5
背隙 Backlash P0		arcmin	125~1000	≤7	≤7	≤7	≤7	≤7
背隙 Backlash P1		arcmin	125~1000	≤9	≤9	≤9	≤9	≤9
背隙 Backlash P2		arcmin	125~1000	≤11	≤11	≤11	≤11	≤11
扭转刚性 Torsional Rigidity		Nm/arcmin	125~1000	14	27	60	140	240
容许径向力 Max. Radial Force	F _{2rB}	N	125~1000	3,200	6,800	9,300	15,600	51,000
容许轴向力 Max. Axial Force	F _{2aB}	N	125~1000	1,600	3,400	4,650	7,800	25,500
使用寿命 Service Life	L _H	hr	125~1000	S5 周期运转 : 20,000 (S1 连续运转 : >10,000 hrs) S5 Cycle Operation: >20,000 (S1 Continuous Operation: >10,000 hrs)				
效率 Efficiency	η	%	125~1000	≥90				
使用温度 Operating Temperature		℃	125~1000	-10° C~+90° C				
润滑 Lubrication			125~1000	全合成润滑油脂 Synthetic Grease				
防护等级 Protection Class			125~1000	IP65				
安装方向 Mounting Position			125~1000	任意方向Any				
噪音值 Noise Level		dB	125~1000	≤60	≤63	≤65	≤67	≤70
重量 Weight ±3%		Kg	125~1000	4.9	10	23	47	70

转动惯量 Mass Moments of Inertia (kg.cm²)

Ratio	FKE090	FKE115	FKE155	FKE205	FKE235
125	0.01	0.04	0.71	1.42	3.29
150	0.01	0.04	0.51	0.92	2.15
175	0.01	0.04	0.40	0.83	1.26
200	0.01	0.04	0.21	0.65	0.98
250	0.01	0.04	0.11	0.52	0.82
300	0.01	0.04	0.09	0.21	0.82
350	0.01	0.04	0.09	0.21	0.82
400	0.01	0.04	0.09	0.21	0.82
450	0.01	0.04	0.09	0.21	0.51
500	0.01	0.04	0.08	0.12	0.51
600	0.01	0.04	0.08	0.12	0.25
700	0.01	0.04	0.08	0.12	0.25
800	0.01	0.04	0.08	0.12	0.25
900	0.01	0.04	0.08	0.12	0.25
1000	0.01	0.04	0.08	0.12	0.25

减速机性能资料 REDUCER PERFORMANCE DATA

三级/Three-stage



unit: mm

Model	Code					
	FKE090	FKE115	FKE155	FKE205	FKE235	
A	A1	82	110	140	184	218
	A2	M6×P1.0	M8×P1.25	M10×P1.5	M12×P1.75	M16×P2.0
	A3	22	32	40	55	75
	A4	70	90	120	160	180
	A5	5	6	9、23.5	10、20	10
	A6	M8×P1.25	M10×P1.5	M12×P1.75	M14×P2.0	M16×P2.0
	A7	102	134	166	215	252
	A8	6	10	12	16	20
	A9	24.5	35	43	59	79.5
B	B1	90	120	142	180	220
	B2	46	65	92	106	139
	B3	8	12	15	20	30
	B4	30	40	65	70	90
	B5	36	50	74	82	104
	B6	195	249、257	334.5、349	396.5、406.5	481.5
C	C1	46、60、63	70、75、90	90、100、115、145	115、145、165	145、165、200
	C2	M3、M4、M5	M4、M5、M6	M5、M6、M8	M6、M8、M10	M8、M10、M12
	C3	8、9、11	14、19	19、22、24	24、28、32	35、38
	C4	26	33.5、41.5	59、73.5	67、77	84.5
	C5	30、40、50	50、60、70	70、80、95、110	95、110、130	110、130、180
	C6	M4×P0.7	M5×P0.8	M6×P1.0	M8×P1.25	M10×P1.5
	C7	46、55	64、70、80	92、110、130	122、130、150	146、150、190

减速机性能资料 REDUCER PERFORMANCE DATA

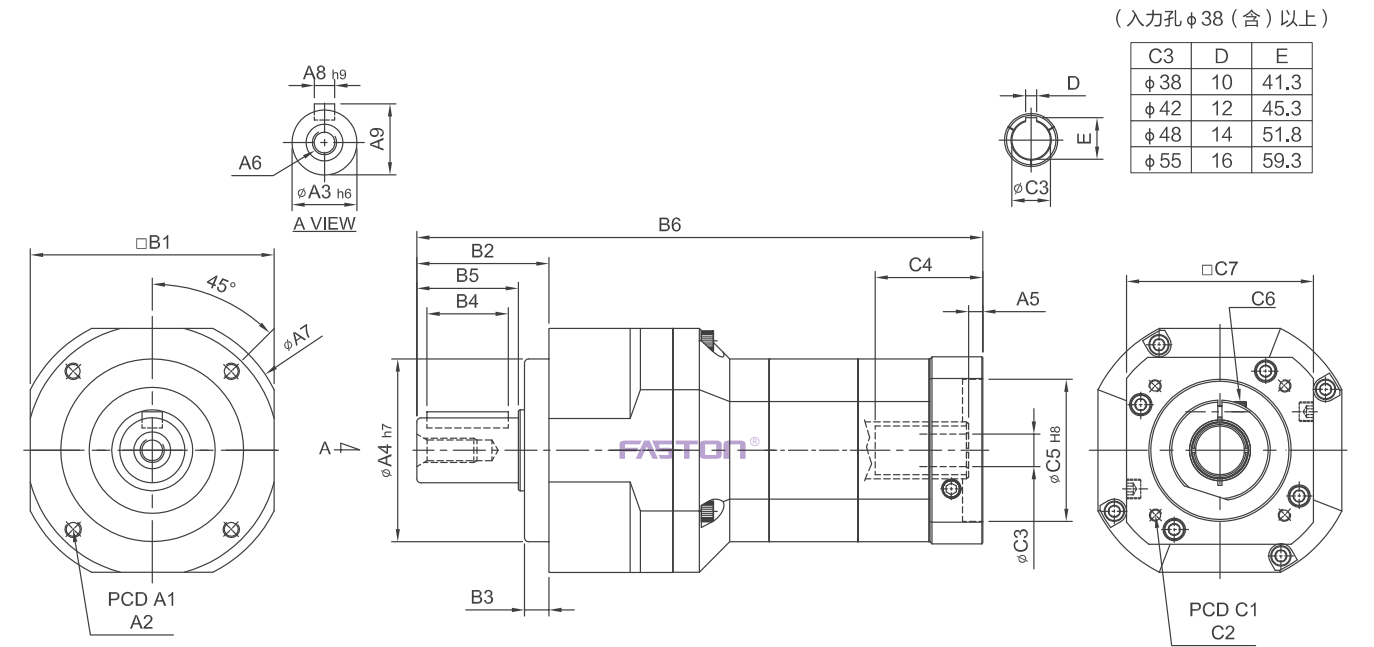
规格 Model No.	代号 Code	单位 Unit	速比 Ratio	FKE070A	FKE090A	FKE115A	FKE155A	FKE205A	FKE235A
额定输出力矩 Rated output torque (Nominal output torque)	T _{2N}	Nm	125	48	160	333	618	1,189	2,010
			150	59	165	335	625	1,206	2,030
			175	45	149	309	573	1,108	1,870
			200	51	146	300	555	1,069	1,804
			250	48	160	333	618	1,189	2,010
			300	45	151	311	583	1,118	1,911
			350	45	149	309	573	1,108	1,870
			400	43	143	298	553	1,070	1,824
			450	44	145	278	516	993	1,694
			500	48	160	333	618	1,189	2,010
			600	45	151	311	583	1,118	1,911
			700	45	149	309	573	1,108	1,870
800	43	143	298	553	1,070	1,824			
900	44	145	278	516	993	1,694			
1000	43	141	294	549	1,059	1,779			
最大加速扭矩 Max. Acceleration Torque	T _{2B}	Nm	125~1000	1.8 倍额定输出力矩 1.8 Times of Rated Output Torque					
最大输出扭矩 Max. Output Torque 急停扭矩 Emergency Stop Torque	T _{2NOT}	Nm	125~1000	3 倍额定输出力矩 3 Times of Rated Output Torque					
额定输入转速 Rated Input Speed	n _{1N}	rpm	125~1000	3,000	3,000	3,000	3,000	3,000	2,000
最大输入转速 Max. Input Speed	n _{1B}	rpm	125~1000	6,000	6,000	5,000	5,000	4,000	3,000
背隙 Backlash Ps		arcmin	125~1000	≤5	≤5	≤5	≤5	≤5	≤5
背隙 Backlash P0		arcmin	125~1000	≤7	≤7	≤7	≤7	≤7	≤7
背隙 Backlash P1		arcmin	125~1000	≤9	≤9	≤9	≤9	≤9	≤9
背隙 Backlash P2		arcmin	125~1000	≤11	≤11	≤11	≤11	≤11	≤11
扭转刚性 Torsional Rigidity		Nm/arcmin	125~1000	6	14	27	60	140	240
容许径向力 Max. Radial Force	F _{2rB}	N	125~1000	1,180	3,200	6,800	9,300	15,600	51,000
容许轴向力 Max. Axial Force	F _{2aB}	N	125~1000	590	1,600	3,400	4,650	7,800	25,500
使用寿命 Service Life	L _H	hr	125~1000	S5 周期运转 : >20,000 (S1 连续运转 : >10,000 hrs) S5 Cycle Operation: >20,000 (S1 Continuous Operation: >10,000 hrs)					
效率 Efficiency	η	%	125~1000	≥90					
使用温度 Operating Temperature		℃	125~1000	-10° C~+90° C					
润滑 Lubrication			125~1000	全合成润滑油脂 Synthetic Grease					
防护等级 Protection Class			125~1000	IP65					
安装方向 Mounting Position			125~1000	任意方向 Any					
噪音值 Noise Level		dB	125~1000	≤58	≤60	≤63	≤65	≤67	≤70
重量 Weight ±3%		Kg	125~1000	2.5	6.5	13	26	56.5	86

转动惯量 Mass Moments of Inertia (kg.cm²)

Ratio	FKE70A	FKE090A	FKE115A	FKE155A	FKE205A	FKE235A
125	0.01	0.01	0.04	0.71	1.42	3.29
150	0.01	0.01	0.04	0.51	0.92	2.15
175	0.01	0.01	0.04	0.40	0.83	1.26
200	0.01	0.01	0.04	0.21	0.65	0.98
250	0.01	0.01	0.04	0.11	0.52	0.82
300	0.01	0.01	0.04	0.09	0.21	0.82
350	0.01	0.01	0.04	0.09	0.21	0.82
400	0.01	0.01	0.04	0.09	0.21	0.82
450	0.01	0.01	0.04	0.09	0.21	0.51
500	0.01	0.01	0.04	0.08	0.12	0.51
600	0.01	0.01	0.04	0.08	0.12	0.25
700	0.01	0.01	0.04	0.08	0.12	0.25
800	0.01	0.01	0.04	0.08	0.12	0.25
900	0.01	0.01	0.04	0.08	0.12	0.25
1000	0.01	0.01	0.04	0.08	0.12	0.25

减速机性能资料 REDUCER PERFORMANCE DATA

三级/Three-stage



unit: mm

Model Code	FKE070A	FKE090A	FKE115A	FKE155A	FKE205A	FKE235A
A1	62	82	110	140	184	218
A2	M5×P0.8	M6×P1.0	M8×P1.25	M10×P1.5	M12×P1.75	M16×P2.0
A3	16	22	32	40	55	75
A4	50	70	90	120	160	180
A5	6.5	6	9、23.5	10、20	10	11.5、13.5
A6	M5×P0.8	M8×P1.25	M10×P1.5	M12×P1.75	M14×P2.0	M16×P2.0
A7	70	102	134	166	215	252
A8	5	6	10	12	16	20
A9	18	24.5	35	43	59	79.5
B1	62	90	120	142	180	220
B2	36	46	65	92	106	139
B3	7	8	12	15	20	30
B4	20	30	40	65	70	90
B5	28	36	50	74	82	104
B6	165.5	204.5、212.5	284.5	354.5	425	527.5
C1	46、60、63	70、75、90	90、100、115、145	115、145、165	145、165、200	200、215、265
C2	M3、M4、M5	M4、M5、M6	M5、M6、M8	M6、M8、M10	M8、M10、M12	M10、M12
C3	8、9、11	14、19	19、22、24	24、28、32	32、35、38	38、42、48、55
C4	26	33.5、41.5	59、73.5	67、77	84.5	114.5、116.5
C5	30、40、50	50、60、70	70、80、95、110	95、110、130	110、130、180	114.3、180、230
C6	M4×P0.7	M5×P0.8	M6×P1.0	M8×P1.25	M10×P1.5	M10×P1.5
C7	46、55	64、70、80	92、110、130	122、130、150	146、150、190	182、200、250